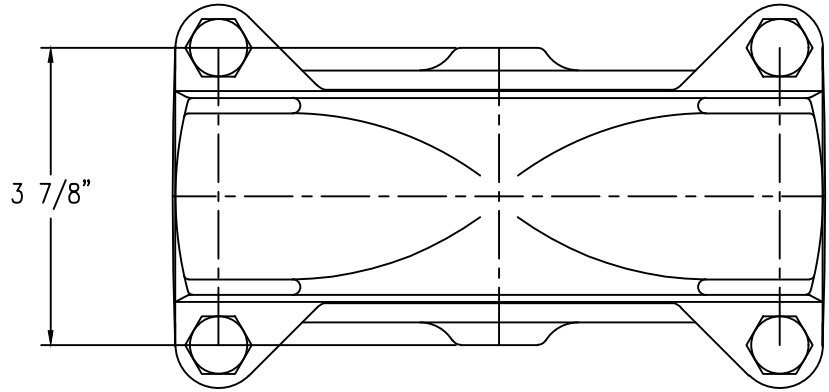


This information is confidential and is the property of Maclean Power Systems. It may not be made public or reproduced except that the Customer may make copies for use solely in installation, maintenance, and operation of products supplied by Maclean Power Systems.

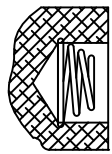
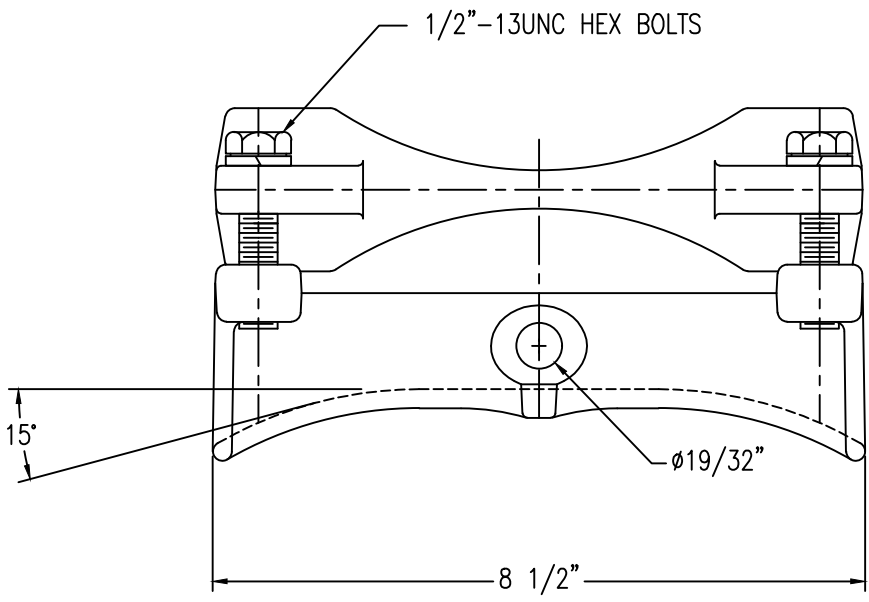
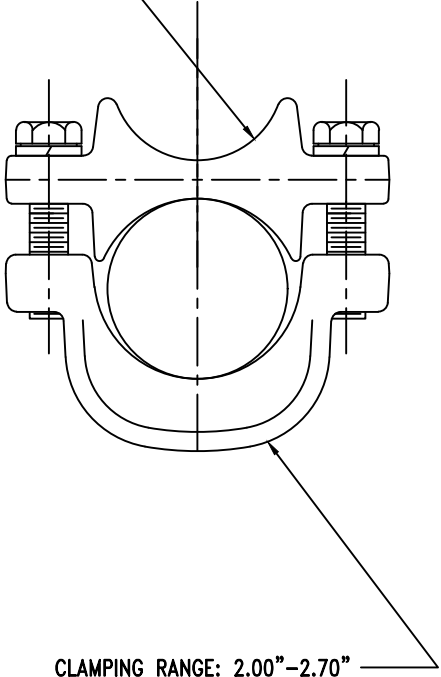
NO. AC-6493

NOTES

- MATERIAL -
 CLAMP BODY & KEEPER - ALUMINUM ALLOY A356-T6.
 HARDWARE - GALVANIZED STEEL



REVERSABLE KEEPER
 SMALL GROOVE RANGE: 2.00" - 2.35"
 LARGE GROOVE RANGE: 2.36" - 2.70"



TYPICAL SPRING INSTALLATION FOR ANTI-NOISE & ANTI-WEAR

CLAMP INCLUDES ONE RIV SUPPRESSION SPRING IN TRUNNION HOLE FOR SPRING IN BOTH HOLES ADD SUFFIX "-SL2" EX. ACTS-270-SL2



LINE POST INSULATOR CLAMP
 CAT. NO. ACTS-270

NO.	DATE	DESCRIPTION	BY	CKD

REVISIONS

DATE: 3/22/02	SCALE: NONE	NO. AC-6493-3	R/0	SH.1 OF 1
BY: BS	BY:	BY:		