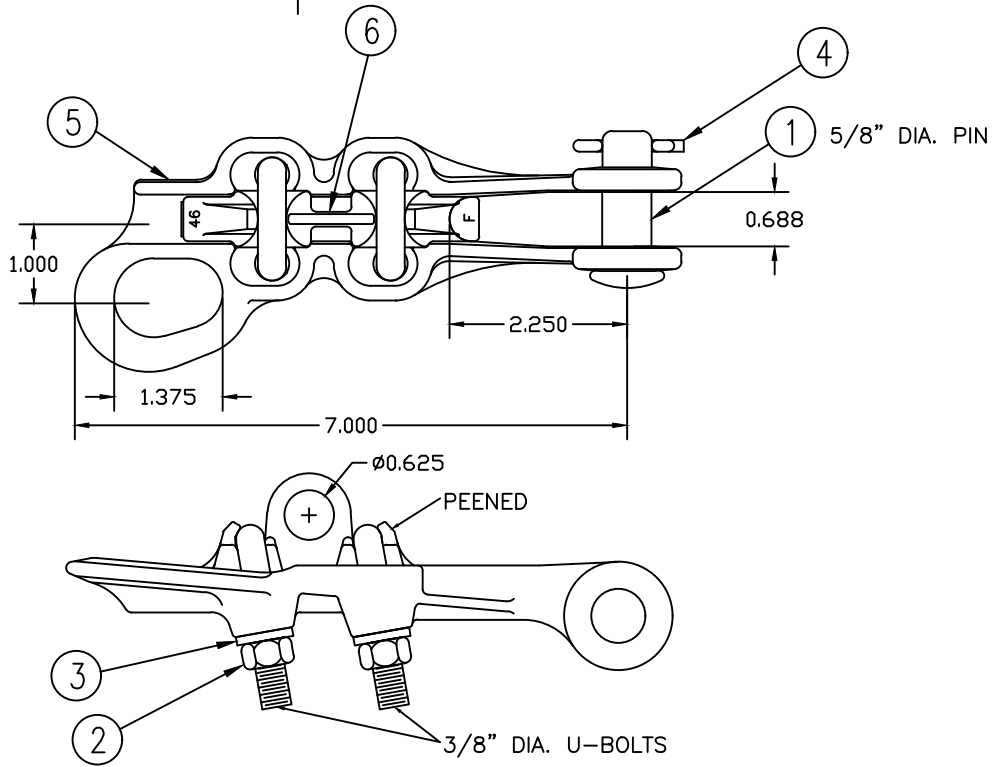


This information is confidential and is the property of Maclean Power Systems. It may not be made public or reproduced except that the Customer may make copies for use solely in installation, maintenance, and operation of products supplied by Maclean Power Systems.

NO. AC-8111



ITEM NO.	PART NO.	CAT. NO.		QTY
1	P56094	H-0315-03	CL PIN 5/8"	1
2	P56136	H-0400-03-W	3/8" DIA WAXED HEX NUT	4
3	P56292	H-0500-03	3/8" DIA FLAT WASHER	4
4	P61134	M-111-3	COTTER PN HMP 5/8"	1
5	P64714C	>SDE-46F-BC	SDE46F BODY	1
6	P64715P	>SDE-46F-KP	SDE46F KEEPER PEENED	1

- NOTES:** 1. MATERIAL - BODY AND KEEPER: DUCTILE IRON, HOT DIP GALVANIZED PER ASTM A153  
HARDWARE: STEEL, HOT DIP GALV. PER ASTM-A153  
COTTER PIN: STAINLESS STEEL  
2. ULTIMATE STRENGTH - BODY: 8,000 LBS; EYE: 5,000 LBS.  
3. CLAMPING RANGE - 0.16"-0.46"  
4. RECOMMENDED TORQUE - 20-25 FT. LBS.

NO.	DATE	DESCRIPTION	BY	CHKD
1	9/22/17	Lifting eye hole, $\phi$ .750" was wrong.	WCL	

REVISIONS



**MACLEAN POWER SYSTEMS**  
A Maclean-fogg Company

IRON STRAIGHT DEAD END CLAMP  
CAT. NO. SDE-46F

DATE: 4/1/05	SCALE: NONE	NO. AC-8111	R/1	SH.1
BY: JM	BY: WCL	BY: WCL		OF 1