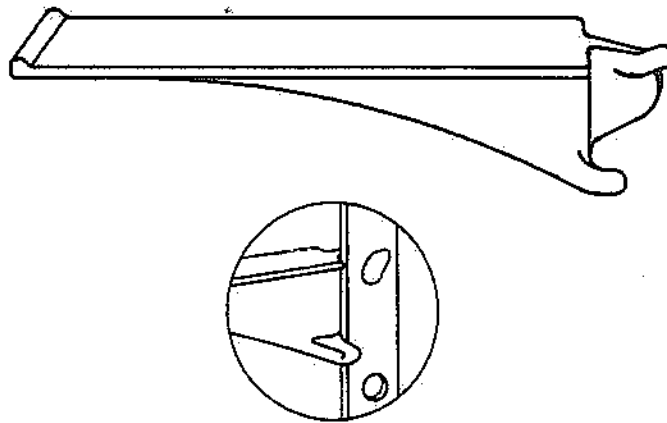


Underground and Riser Accessories



NOB-LOCK SUPPORTS



SPECIFICATIONS:

* MATERIAL: DUCTILE IRON, HOT DIP GALVANIZED PER ASTM-A-153.

CATALOG NUMBER	LENGTH IN (INCHES)	ACCOMMODATES NO. OF INSULATORS
APP-2142	3-7/8	1
APP-2143	7-7/8	2
APP-2144	11-7/8	3
APP-2145	14-7/8	4