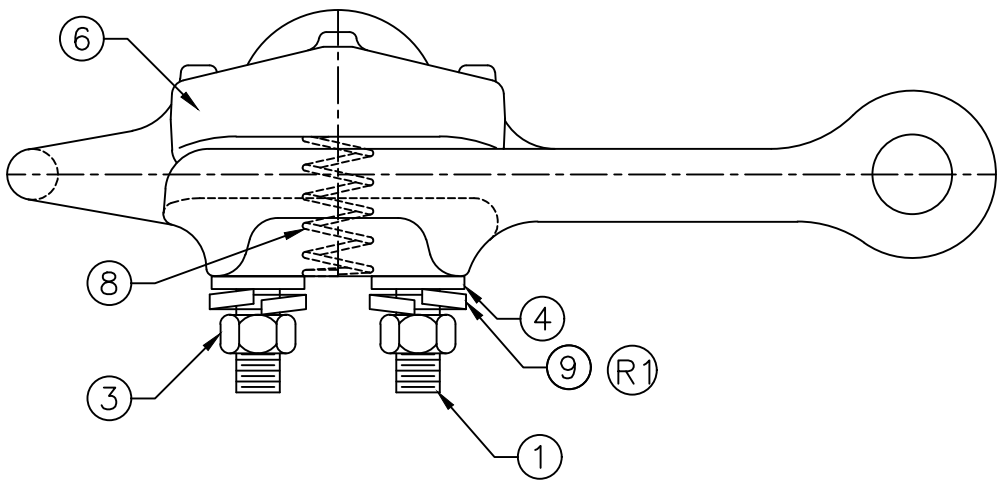
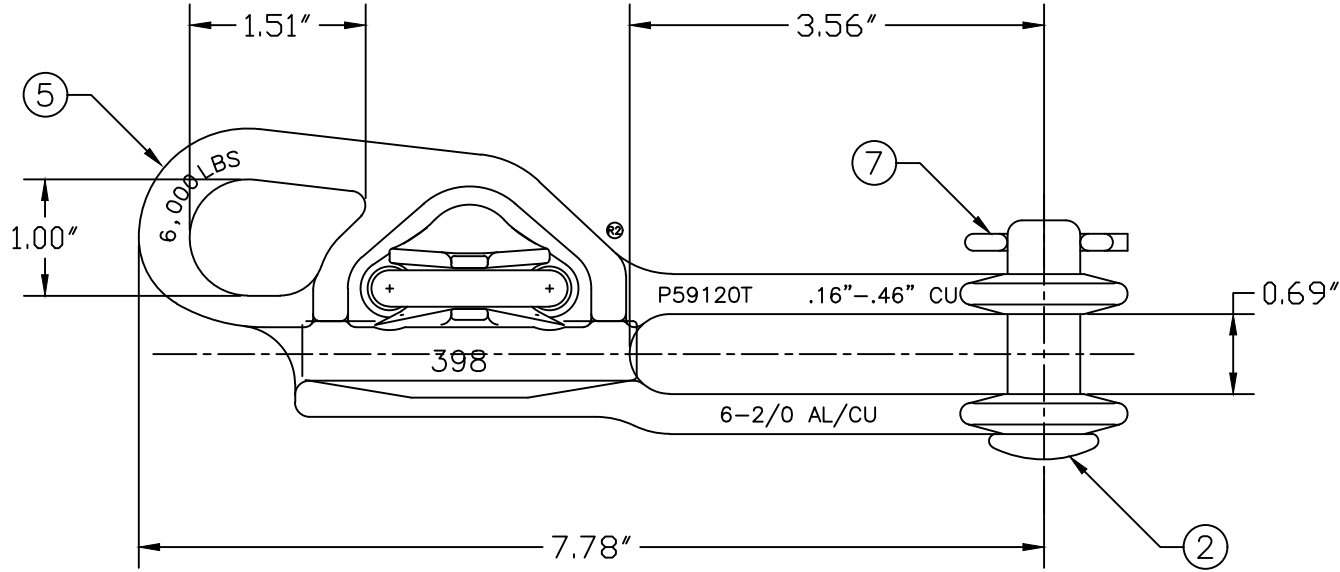


REVISIONS

NO.	DATE	DESCRIPTION	BY	CKD
1	01/15/15	ADDED LW, IT. 9.	WCL	WCL
2	03/19/20	CHANGED RANGE FROM .19 TO .16. CHANGED DRAWING TO CORRECT SHAPE.	KMK	WCL

ITEM NO.	PART NO.	CAT. NO.	DESCRIPTION	QUANTITY			
				A	B	C	D
1	P55991	H-0200-04	3/8" U BOLT	1			
2	P56093	H-0315-02	5/8"x1-7/8" CLVS PIN	1			
3	P56136	H-0400-03-W	3/8"-16 HEX NUT FIN	2			
4	P56292	H-0500-03	3/8" FLAT WASHER	2			
5	P59120T	*ASO-398-1B-TP	ASO-398-1B TIN PL	1			
6	P59121T	*ASO-398-1K-TP	ASO-398-1K TIN PL	1			
7	P61134	M-111-3	LONG COTTER PN	1			
8	P61136	H-0476-02	0.312I.D.X1.88 SPRING	1			
9	P60804	H-0520-03	3/8" LOCKWASHER	2			

ASSEMBLY NUMBER	REF. NO.
ASO-398-1-N-TP	A



NOTES:

- MATERIAL - BODY AND KEEPER:
A356-T6 ALUMINUM ALLOY (TIN PLATED)

HARDWARE:
STEEL, HOT DIP GALVANIZED PER ASTM-A153

COTTER PIN AND COMP. SPRING:
STAINLESS STEEL
- ULTIMATE STRENGTH - BODY: 6,000 LBS.
EYE: 6,000 LBS.
- CLAMPING RANGE - 0.16" TO 0.46"
WIRE RANGE: #6 - 2/0 ALUMINUM AND COPPER.

MACLEAN POWER SYSTEMS
A Maclean-fogg Company

HOT LINE DEAD END CLAMP
ASO-398-1-N-TP

This information is confidential and is the property of Maclean Power Systems. It may not be made public or reproduced except that the Customer may make copies for use solely in instillation, maintenance, and operation of products supplied by Maclean Power Systems.

DATE: 12/5/11	SCALE: NONE	NO. BC8514-3	R/2	SH. 1 OF 1
DWN. BY: CDR	CKD. BY:	APR. BY:		

ENG. REF.