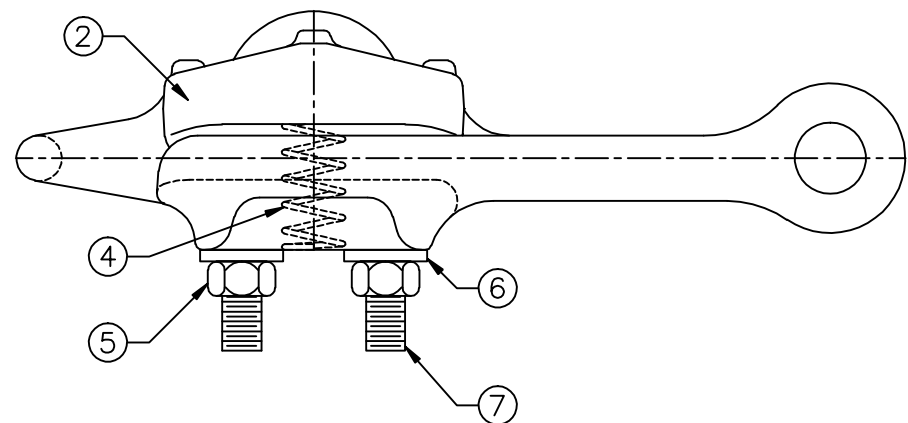
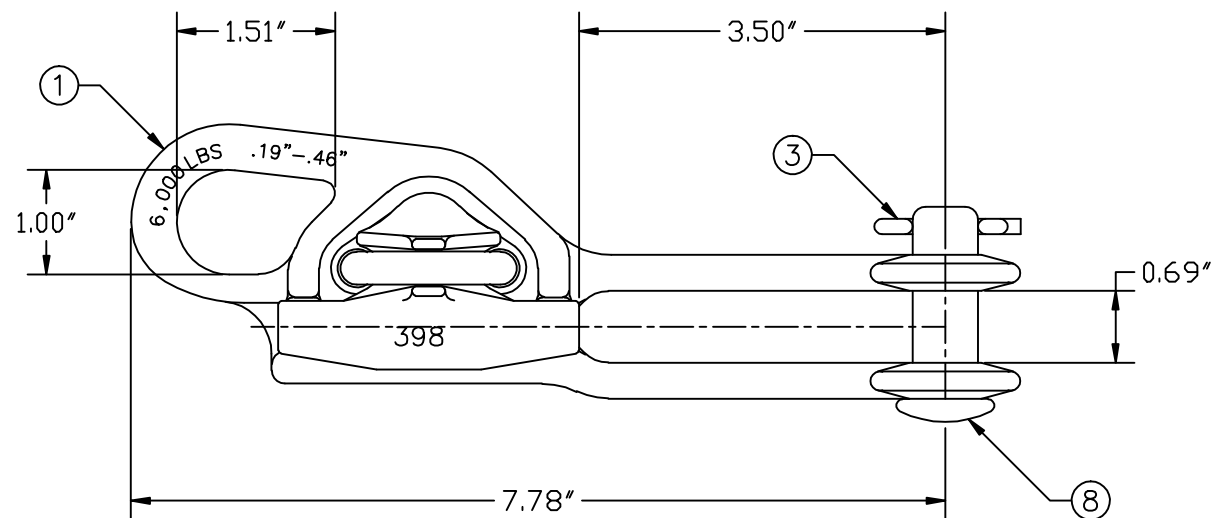


REVISIONS				
NO.	DATE	DESCRIPTION	BY	CKD


ITEM NO.	PART NO.	CAT. NO.	DESCRIPTION	QUANTITY			
				A	B	C	D
1	P59120N	*ASO-398-1B	NEW ASO-398-1B	1			
2	P59121N	*ASO-398-1K	NEW ASO-398-1K	1			
3	P61134	M-111-3	LONG COTTER PN	1			
4	P61136	H-0476-02	0.312I.D.X1.88 SPRING	1			
5	P56177W	H-0406-03-W	3/8" BRONZE HX NUT	2			
6	P56312	H-0501-03	FLATWASHER,BRASS	2			
7	P57259	M-0604-04	3/8" SS U-BOLT	1			
8	P63009	H-0347-02	5/8" X 2-5/16" SS	1			



ASSEMBLY NUMBER	REF. NO.
ASO-398-1STH-BZ	A

NOTES:

- MATERIAL - BODY AND KEEPER:  
A356-T6 ALUMINUM ALLOY  
  
HARDWARE:  
BRONZE NUTS AND WASHERS  
  
COTTER PIN, U-BOLT, CLEVIS PIN, AND COMPRESSION SPRING:  
STAINLESS STEEL
- ULTIMATE STRENGTH - BODY: 6,000 LBS.  
EYE: 6,000 LBS.
- CLAMPING RANGE - 0.19" TO 0.46"

 <b>MACLEAN POWER SYSTEMS</b> A Maclean-fogg Company	
HOT LINE DEAD END CLAMP ASO-398-1STH-BZ	
DATE: 12/5/11	SCALE: NONE
DWN. BY: CDR	APR. BY: [Signature]
NO. BC8514-4	R / 0 SH. 1 OF 1

This information is confidential and is the property of Maclean Power Systems. It may not be made public or reproduced except that the Customer may make copies for use solely in installation, maintenance, and operation of products supplied by Maclean Power Systems.

ENG. REF.