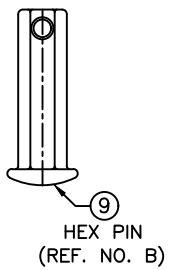
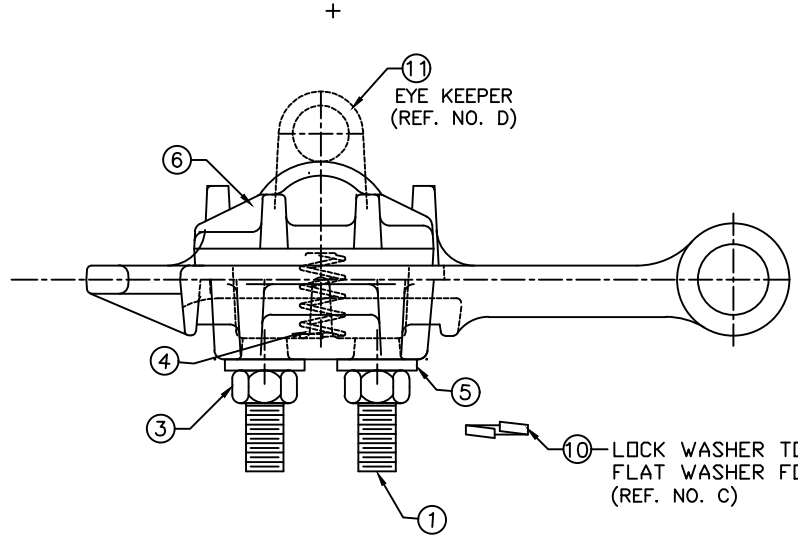
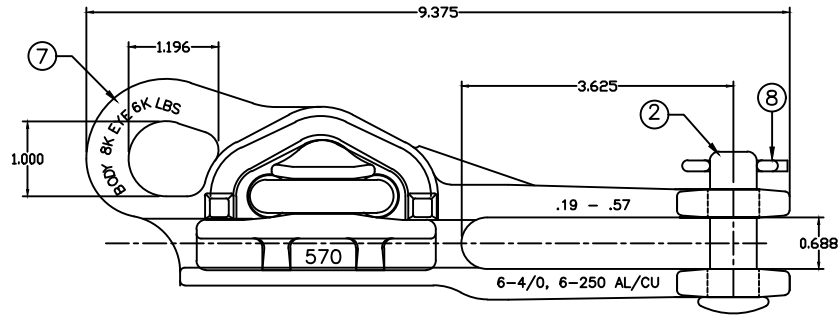


REVISIONS				
NO.	DATE	DESCRIPTION	BY	CKD
1	12/17/20	Revised with updated design	WCL	

ITEM NO.	PART NO.	CAT. NO.	DESCRIPTION	QUANTITY			
				A	B	C	D
1	P56020	H-0201-23	1/2" U-BOLT	1	1	1	
2	P56094	H-0315-03	5/8" x 2-1/16" CLEVIS PIN	1	-	-	
3	P56138	H-0400-04-W	1/2"-13 HEX NUT FIN	2	2	2	
4	P56230	H-0470-06	0.5"x2.75" SPRING	1	1	1	
5	P56294	H-0500-04	1/2" FLATWASHER	2	2	2	
6	P60004T	AS0570-1TPK	ASO-570-1 KEEPER (TIN PLATED)	1	-	1	
7	P60005T	AS0570-1TPB	ASO-570-1 BODY (TIN PLATED)	1	1	1	
8	P61134	M-111-3	LONG COTTER PIN	1	1	1	
9	P61654	H-0320-03	5/8" x 2-1/8" HEX CLEVIS PIN	-	1	1	
10	P56399	H-0520-04	1/2" LOCKWASHER	-	-	2	

ASSEMBLY NUMBER	REF. NO.
ASO-570-1-N-TP	A
ASO-570-1N-TP-HP	B
ASO-570-1N-TP-HPLW	C
-----	D



- NOTES:
- MATERIAL - BODY AND KEEPER: A356-T6 ALUMINUM ALLOY
HARDWARE: STEEL, HOT DIP GALVANIZED PER ASTM-A153
COTTER PIN AND COMP. SPRING: STAINLESS STEEL
 - ULTIMATE STRENGTH - BODY: 8,000 LBS.
EYE: 6,000 LBS.
CLEVIS EYE - 25,000 LBS.
 - CLAMPING RANGE - 0.25" TO 0.88"

MACLEAN POWER SYSTEMS
A Maclean-fogg Company

TIN PLATED HOT LINE DEAD END CLAMP
ASO-570-1-NTP AND ASO-570-1N-TP-HP

This information is confidential and is the property of Maclean Power Systems. It may not be made public or reproduced except that the Customer may make copies for use solely in installation, maintenance, and operation of products supplied by Maclean Power Systems.

DATE: 12/06/2011	SCALE: NONE	R / 1	SH. 1
DRAWN: CDR	CHKD: BR		

BC8515-2

ENG. REF.