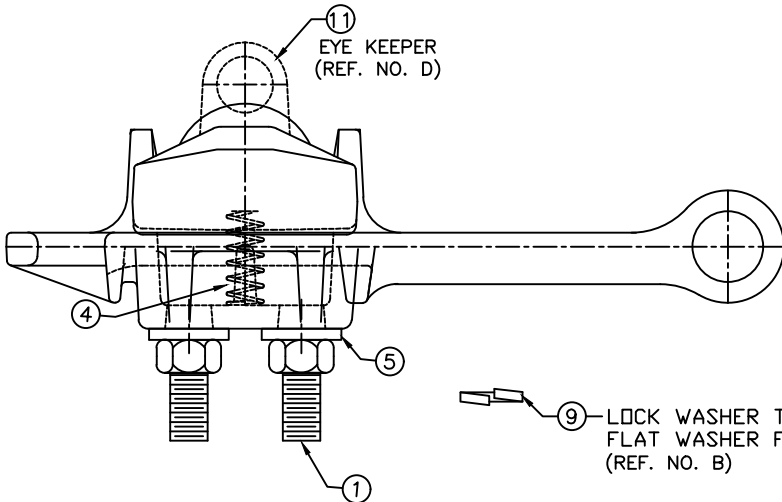
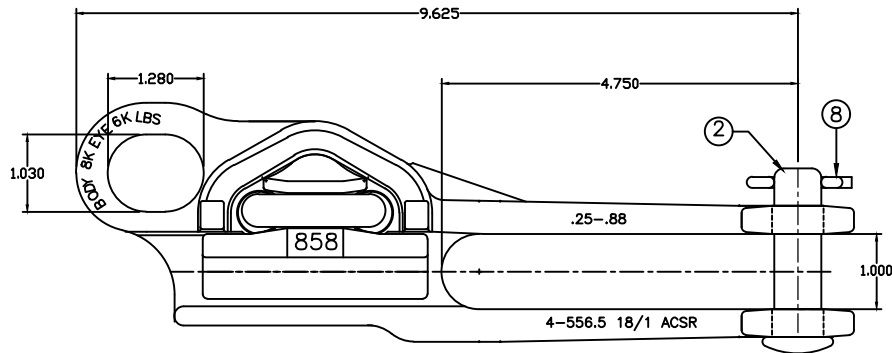
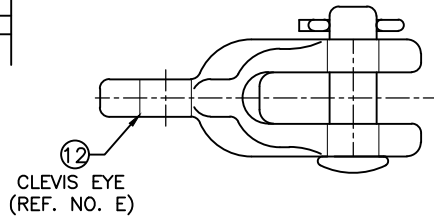


REVISIONS

NO.	DATE	DESCRIPTION	BY	CKD
1	12/14/20	Revised with updated design	WCL	



9 - LOCK WASHER TO BE APPLIED UNDER FLAT WASHER FOR THE "LW" VERSION (REF. NO. B)

ITEM NO.	PART NO.	CAT. NO.	DESCRIPTION	QUANTITY				
				A	B	C	D	E
1	P56020	H-0201-23	1/2" U-BOLT	1	1	1	1	1
2	P56094	H-0315-03	5/8" x 2-1/16" CLEVIS PIN	1	1	-	1	1
3	P56138	H-0400-04-W	1/2"-13 HEX NUT FIN	2	2	2	2	2
4	P56230	H-0470-06	0.5"x2.75" SPRING	1	1	1	1	1
5	P56294	H-0500-04	1/2" FLATWASHER	2	2	2	2	2
6	P60007	P-6604-01	ASO-858-1 KEEPER	1	1	1	-	1
7	P60019	P-6603-01	ASO-858-1 BODY	1	1	1	1	1
8	P61134	M-111-3	LONG COTTER PIN 5	1	1	1	1	1
9	P56399	H-0520-04	1/2" LOCKWASHER	-	2	-	-	-
10	P61654	H-0320-03	5/8" x 2-1/8" HEX CLEVIS PIN	-	-	1	-	-
11	P60007E	P-6604-01E	ASO-858-1 EYE KEEPER	-	-	-	1	-
12	P327214	SCE-55-625	STRAIGHT CLEVIS EYE	-	-	-	-	1

ASSEMBLY NUMBER	REF. NO.
ASO-858-1-N	A
ASO-858-1N-LW	B
ASO-858-1-N-HP	C
ASO-858-1-EN	D
ASO-858-1-C	E

NOTES:

- MATERIAL - BODY AND KEEPER: A356-T6 ALUMINUM ALLOY
CLEVIS EYE: DUCTILE IRON, HOT DIP GALVANIZED PER ASTM-A153
HARDWARE: STEEL, HOT DIP GALVANIZED PER ASTM-A153
COTTER PIN AND COMP. SPRING: STAINLESS STEEL
- ULTIMATE STRENGTH - BODY: 8,000 LBS.
EYE: 6,000 LBS.
CLEVIS EYE - 25,000 LBS.
- CLAMPING RANGE - 0.25" TO 0.88"



MACLEAN POWER SYSTEMS
A Maclean-fogg Company

HOT LINE DEAD END CLAMP
ASO-858-1-N, ASO-858-1N-LW,
ASO-858-1-N-HP, ASO-858-1EN,
AND ASO-858-1-C

This information is confidential and is the property of Maclean Power Systems. It may not be made public or reproduced except that the Customer may make copies for use solely in installation, maintenance, and operation of products supplied by Maclean Power Systems.

DATE: 12/07/2011	SCALE: NONE	R / 1	SH. 1
DWN: CDR	APR: BR		

BC8518-1