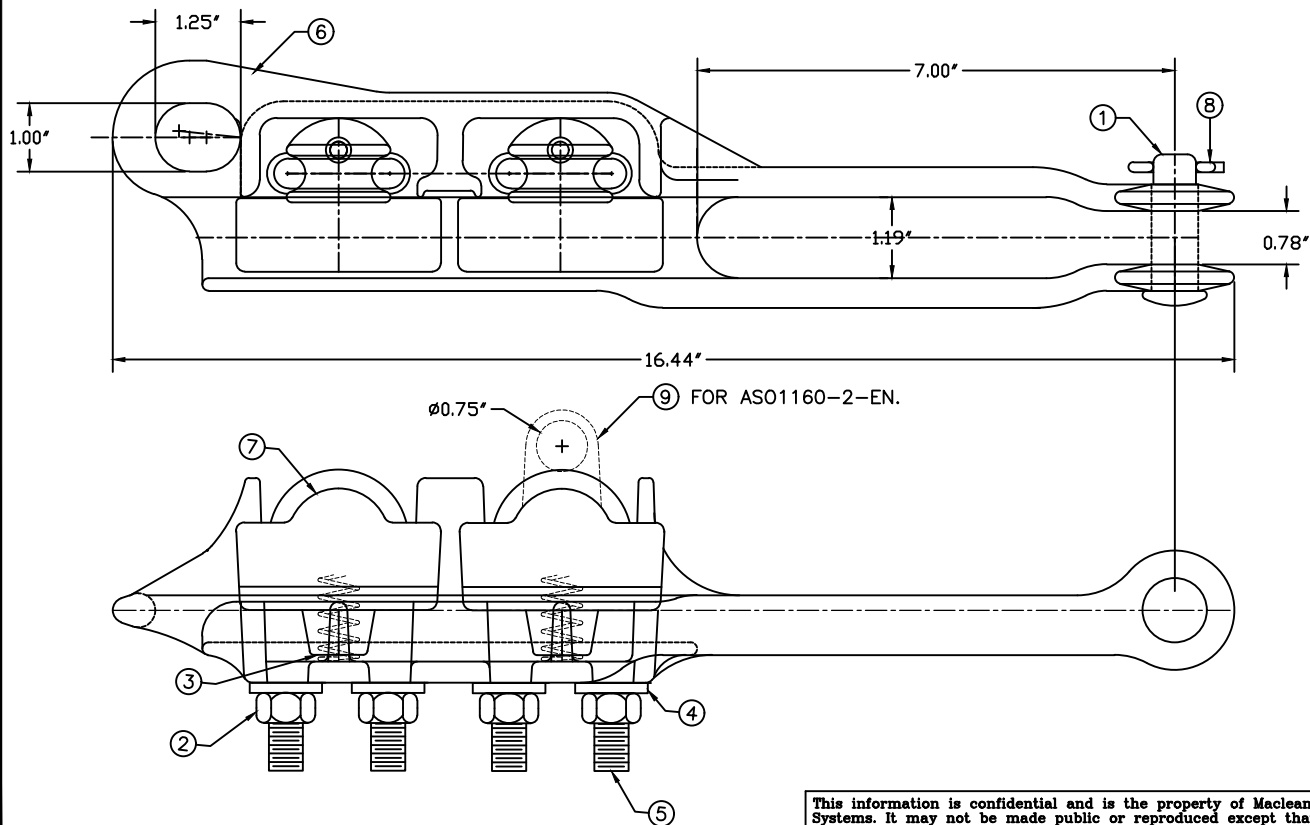


REVISIONS				
NO.	DATE	DESCRIPTION	BY	CHKD

ASSEMBLY NUMBER	REF. NO.
ASO-1160-2-N	A
ASO-1160-2-EN	B
-----	C
-----	D

ITEM NO.	PART NO.	CAT. NO.	DESCRIPTION	QUANTITY			
				A	B	C	D
1	P56094	H-0315-03	5/8" x 2-1/16" CLEVIS PIN	1	1		
2	P56138	H-0400-04-W	1/2"-13 HEX NUT FIN	4	4		
3	P56226	H-0470-02	COMPRESSION SPRING	2	2		
4	P56294	H-0500-04	1/2" FLATWASHER	4	4		
5	P60122	H-0201-27	1/2" U-BOLT	2	2		
6	P60153	P-6441-01	ASO-1160-2 BODY CS	1	1		
7	P60154	P-6442-01	ASO-1160-2 KEEPER CS	2	1		
8	P61134	M-111-3	LONG COTTER PIN 5	1	1		
9	P60746	P-6442-01E	ASO-1160-2 EYE KEEPER CS	0	1		



NOTES:

- MATERIAL - BODY AND KEEPER:
A356-T6 ALUMINUM ALLOY

HARDWARE:
STEEL, HOT DIP GALVANIZED PER
ASTM-A153

COTTER PIN AND COMP. SPRING:
STAINLESS STEEL
- ULTIMATE STRENGTH - BODY: 12,000 LBS.
EYE: 9,000 LBS.
- CLAMPING RANGE - 0.684" TO 1.160"
- FOR TIN PLATED COATING ADDS SUFFIX "-TP"
EX. ASO1160-2N-TP.



MACLEAN POWER SYSTEMS
A Maclean-fogg Company

HOT LINE DEAD END CLAMP
ASO-1160-2-N & ASO-1160-2-EN

This information is confidential and is the property of Maclean Power Systems. It may not be made public or reproduced except that the Customer may make copies for use solely in installation, maintenance, and operation of products supplied by Maclean Power Systems.

DATE: 12/09/2011 SCALE: NONE NO. BC8535-1
DWG. CDR. CHK. APR. R/0 SH. 1
BY: BR. LF. 01

ENG. REF.