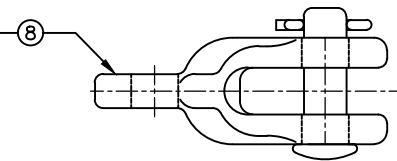


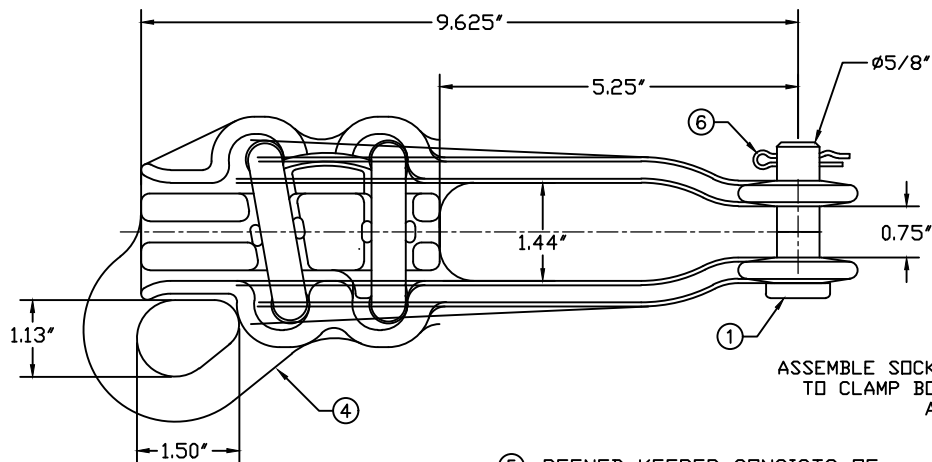
REVISIONS				
NO.	DATE	DESCRIPTION	BY	CHKD

ITEM NO.	PART NO.	CAT. NO.	DESCRIPTION	QUANTITY			
				A	B	C	D
1	P56094	H-0315-03	5/8"Ø x 2-1/16" CLEVIS PIN	1	1	1	
2	P56138	H-0400-04-W	1/2"-13 HEX NUT FIN	4	4	4	
3	P56294	H-0500-04	1/2" FLATWASHER	4	4	4	
4	P59384	P-0814-01	ASD-58 BODY	1	1	1	
5	P59388	P-0815-01-P	ASD-58 PEENED KEEPER	1	1	1	
6	P61134	M-111-3	LONG COTTER PIN	1	1	1	
7	P56399	H-0520-04	1/2" LOCKWASHER	-	4	-	
8	P327214	SCE-55-625	STRAIGHT CLEVIS EYE	-	-	1	
9	P56893P	SI-625	SOCKET EYE	-	-	-	1

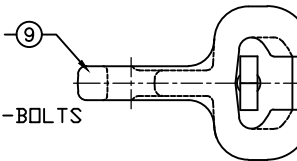
ASSEMBLE CLEVIS EYE TO CLAMP BODY FOR ASD-58-C



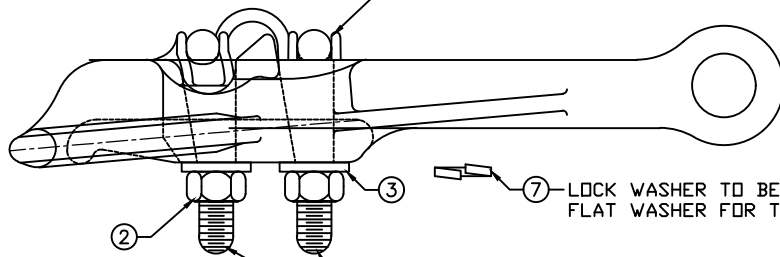
ASSEMBLY NUMBER	REF. NO.
ASD-58-N	A
ASD-58-N-LW	B
ASD-58-C	C
ASD-58-S	D



ASSEMBLE SOCKET EYE TO CLAMP BODY FOR ASD58-S



5-PEENED KEEPER CONSISTS OF (1) ASD-58 KEEPER AND (2) H-0201-15 U-BOLTS




7-LOCK WASHER TO BE APPLIED UNDER FLAT WASHER FOR THE 'LW' VERSION

1/2" U-BOLTS

NOTES:

- MATERIAL - BODY AND KEEPER: A356-T6 ALUMINUM ALLOY  
HARDWARE: STEEL, HOT DIP GALVANIZED PER ASTM-A153  
COTTER PIN: STAINLESS STEEL
- ULTIMATE STRENGTH - BODY: 15,000 LBS.  
EYE: 10,000 LBS.
- CLAMPING RANGE - 0.65" TO 1.25"

 <b>MACLEAN POWER SYSTEMS</b> A Maclean-fogg Company	
STRAIGHT STRAIN CLAMP ASD-58-N, ASD-58-N-LW, ASD-58-C, AND ASD-58-S	
DATE: 12/13/2011	SCALE: NONE
DRAWN: CDR	NO. BC8543-1
CHKD: BR	R 0
APR: BR	SH 1
	OF 1

This information is confidential and is the property of Maclean Power Systems. It may not be made public or reproduced except that the Customer may make copies for use solely in installation, maintenance, and operation of products supplied by Maclean Power Systems.

ENG. REF.