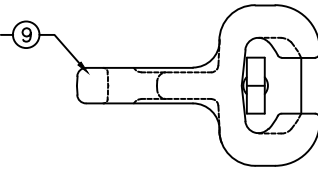
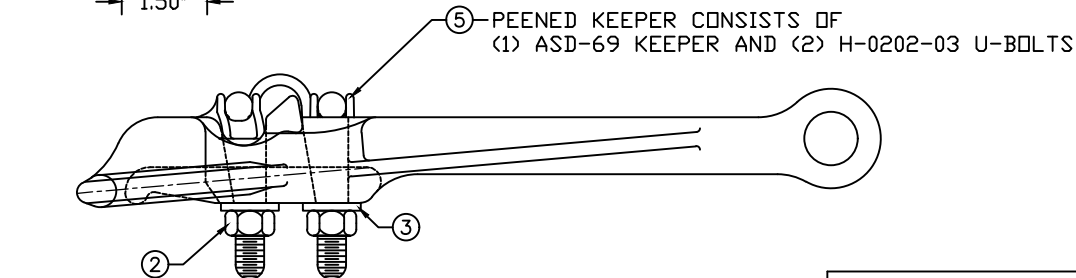
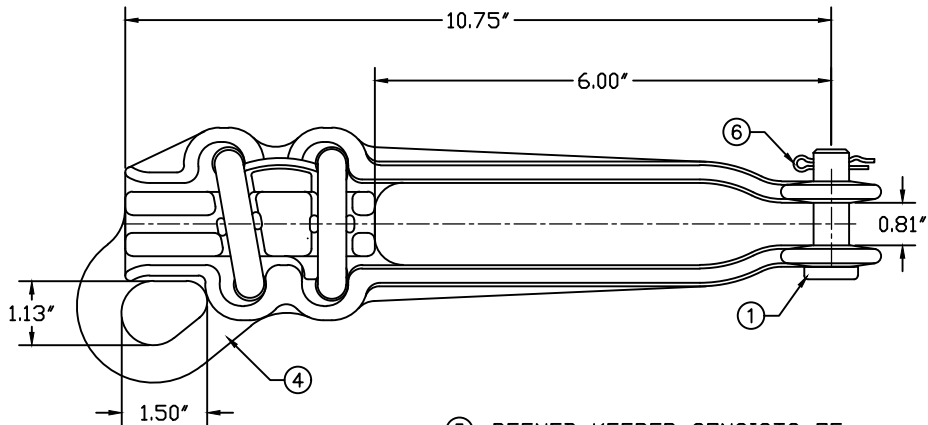
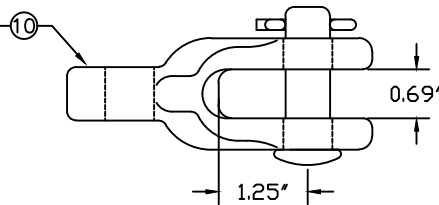


REVISIONS				
NO.	DATE	DESCRIPTION	BY	CKD
1	06/06/18	ADDED CLEVIS OPTION, ASD-69-C	MBG	

ASSEMBLE SOCKET EYE TO CLAMP BODY ON ASD-69-S-⑨

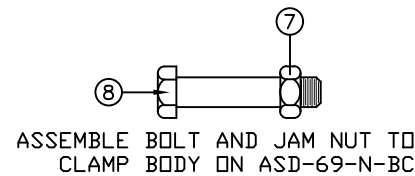


ASSEMBLE CLEVIS EYE TO CLAMP BODY ON ASD-69-C-⑩



ITEM NO.	PART NO.	CAT. NO.	DESCRIPTION	QUANTITY			
				A	B	C	D
1	P56094	H-0315-03	5/8"φ x 2-1/16" CLEVIS PIN	1	-	1	1
2	P56140	H-0400-05-W	5/8"-11 HEX NUT FIN	4	4	4	4
3	P56296	H-0500-05	5/8" FLATWASHER	4	4	4	4
4	P59503	P-6165-01	ASD-69 BODY	1	1	1	1
5	P59505	P-6166-01-P	ASD-69 PEENED KEEPER	1	1	1	1
6	P61134	M-111-3	LONG COTTER PIN	1	1	1	1
7	P56157	H-0402-05	5/8" JAM HEX NUT	-	1	-	-
8	P62603	H-0705-2750	5/8" CLEVIS BOLT	-	1	-	-
9	P56902P	>SI-750	SOCKET EYE	-	-	1	-
10	P327216	SCE-55-750	STRAIGHT CLEVIS EYE	-	-	-	1

ASSEMBLY NUMBER	REF. NO.
ASD-69-N	A
ASD-69-N-BC	B
ASD-69-S	C
ASD-69-C	D




NOTES:
1. MATERIAL - BODY AND KEEPER:
A356-T6 ALUMINUM ALLOY

HARDWARE:
STEEL, HOT DIP GALVANIZED PER
ASTM-A153

COTTER PIN:
STAINLESS STEEL

2. ULTIMATE STRENGTH - BODY: 15,000 LBS.
EYE: 12,000 LBS.

3. CLAMPING RANGE - 0.72" TO 1.55"

 MACLEAN POWER SYSTEMS <i>A Maclean-fogg Company</i>	STRAIGHT STRAIN CLAMP	
	ASD-69-N, ASD-69-N-BC, ASD-69-S	
<small>DATE: 12/13/2011</small>	<small>SCALE: NONE</small>	<small>NO.</small>
<small>DRW: []</small> <small>CDR: []</small> <small>CHK: []</small>	<small>APR: []</small> <small>BY: []</small>	<small>R</small> / 1 <small>SH</small> 1 <small>OF</small> 1

ENG. REF.

This information is confidential and is the property of Maclean Power Systems. It may not be made public or reproduced except that the Customer may make copies for use solely in installation, maintenance, and operation of products supplied by Maclean Power Systems.

BC8544-1