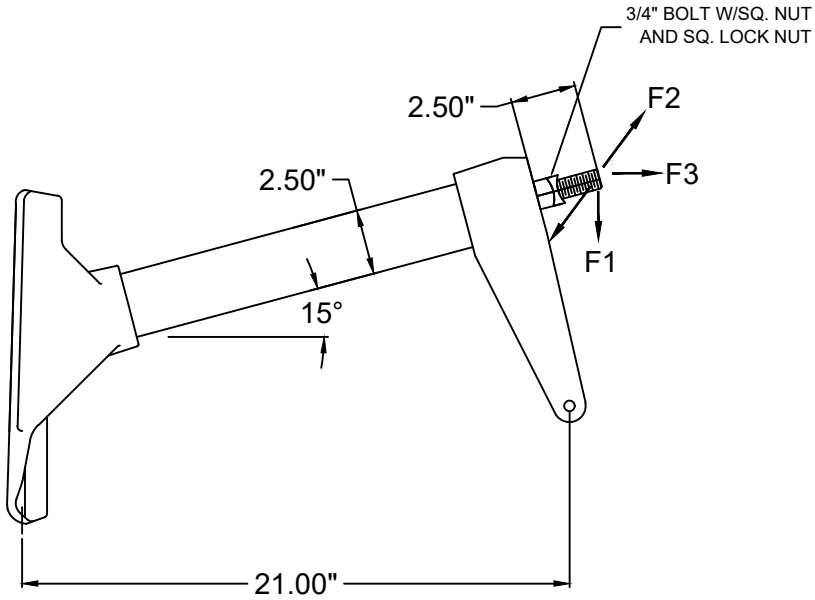
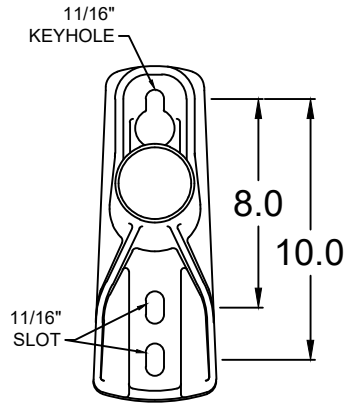


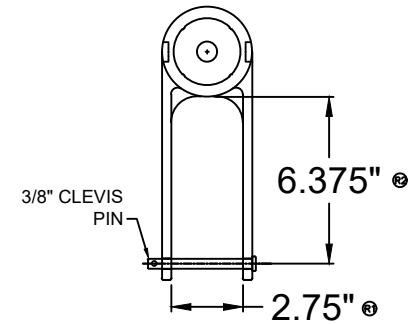
REVISIONS			
NO.	DATE	DESCRIPTION	BY / CIO
1	10/26/16	3.50" was 3.00". 2.75" was 2.25".	WCL
2	04/19/17	6.375" was 3.50". 2.5" was 2.0". Revised base side view	MBG
3	07/05/18	BASE WAS MODIFIED TO HAVE KEYHOLE	MBG
4	09/20/21	REMOVED PAINT OPTION	BHB



CATALOG NUMBER	LENGTHS (IN)	ULTIMATE MECHANICAL STRENGTHS (LBS)		
SILICONE RUBBER COATED SERIES	L1	VERTICAL	LONGITUDINAL	TRANSVERSE
G1XAA121ASCB	21	4500	3500	10000



BASE VIEW



END FITTING VIEW  
SCB250

NOTES:

- 1.0 MATERIAL
  - 1.1 BASE - ALUMINUM, A356-T6
  - 1.2 END FITTING - ALUMINUM, A356-T6
  - 1.3 ROD - FIBERGLASS
- 2.0 FINISH
  - 2.1 BASE AND END FITTING - NONE
  - 2.2 HARDWARE - HOT DIP GALVANIZED PER ASTM-A-153
  - 2.3 ROD - VULCANIZED SILICONE RUBBER, GRAY
- 3.0 DIMENSIONS IN INCHES

**MACLEAN POWER SYSTEMS**  
A Maclean-fogg Company

**G1XAA1-21-ASCB**  
SINGLE PHASE SPACER CABLE BRACKET

This information is confidential and is the property of Maclean Power Systems. It may not be made public or reproduced except that the Customer may make copies for use solely in installation, maintenance, and operation of products supplied by Maclean Power Systems.

DATE: 6-24-15	SCALE: 1:1	NO.	CEB-2186	R / 4	SH. / DF.
DRN: WCL	APP.:				

ENG. REF.