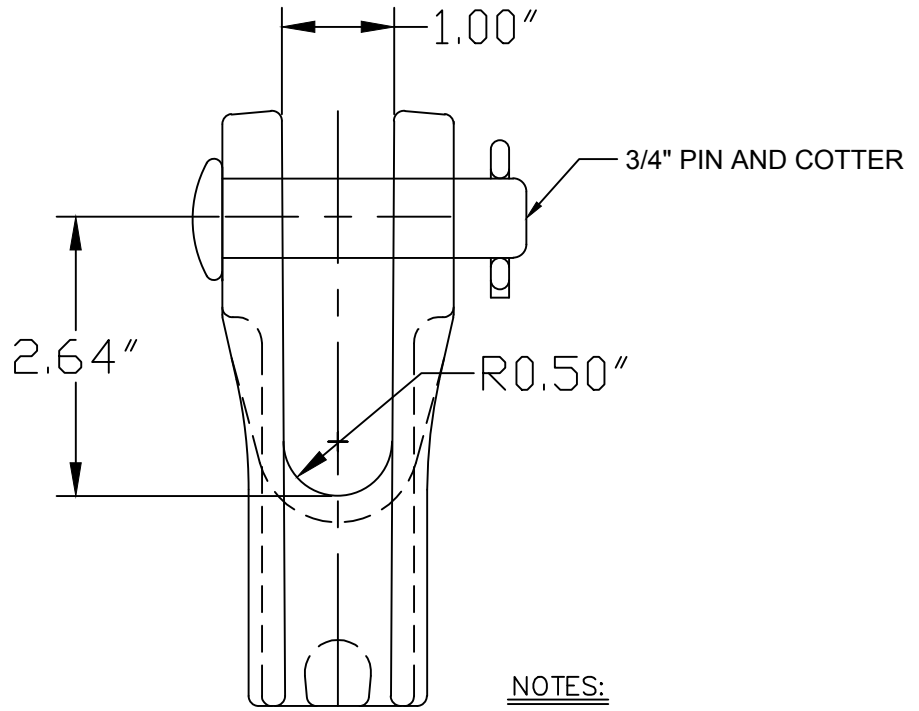
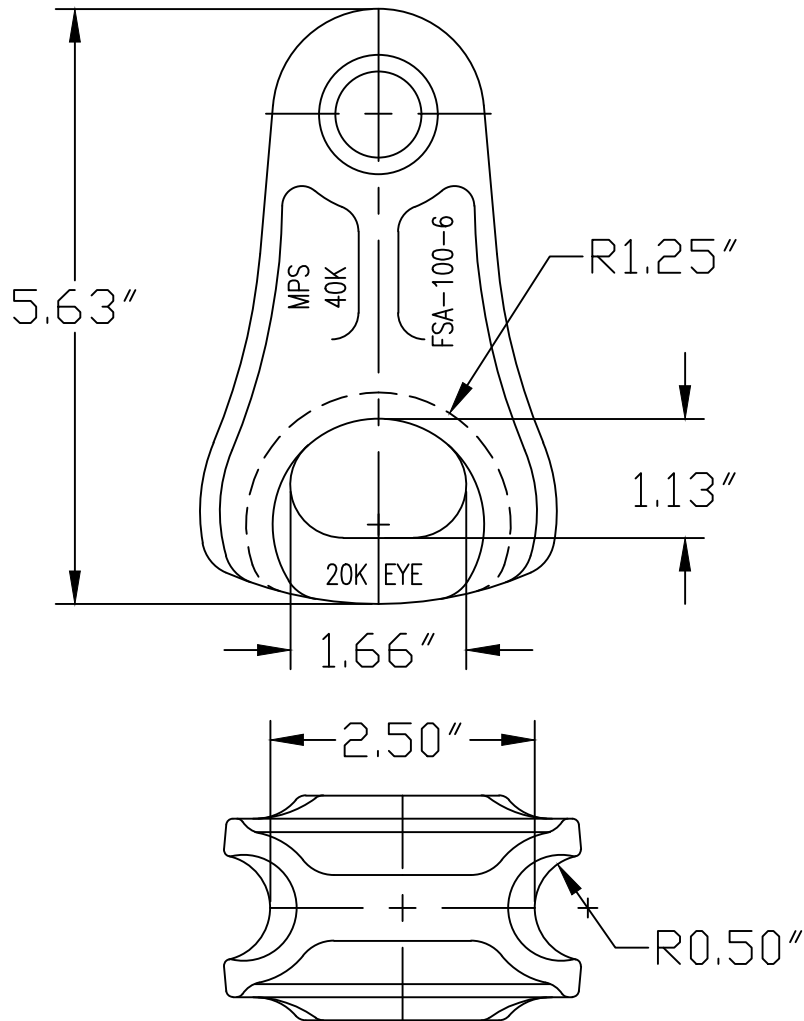


REVISIONS

NO.	DATE	DESCRIPTION	BY	CHKD



NOTES:

- 1.0 MATERIAL—DUCTILE IRON PER ASTM A-536, GRADE 604018, BHN 143-187 MATERIAL CERTIFICATION REQUIRED.
- 2.0 COATING—HOT DIP GALVANIZE PER ASTM A-153.
- 3.0 EST. WEIGHT - 2.812 LBS W/CLEVIS PIN AND 3.060 LBS WITH "BC" SUFFIX.
- 4.0 RATED STRENGTH: 40K LBS CLEVIS, 20K EYE.
- 5.0 CAT. NO.: FSA-100-6 WITH CLEVIS PIN. FSA-100-6BC WITH BOLT NUT & COTTER.
- 6.0 DIMENSION IN INCHES.

MacLean Power Systems
BIRMINGHAM, ALABAMA

FSA-100-6
THIMBLE CLEVIS

ENG. REF.

This information is confidential and is the property of Maclean Power Systems. It may not be made public or reproduced except that the Customer may make copies for use solely in installation, maintenance and operation of products supplied by Maclean Power Systems.

DATE: 2/10/15	SCALE: NONE	NO.	R/0	SH. 1
DRAWN BY: WCL	CHKD BY:	APP. BY:	CEB-3743-2	OF 1