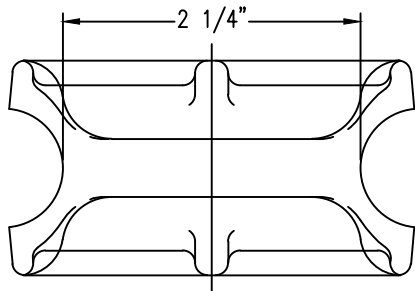
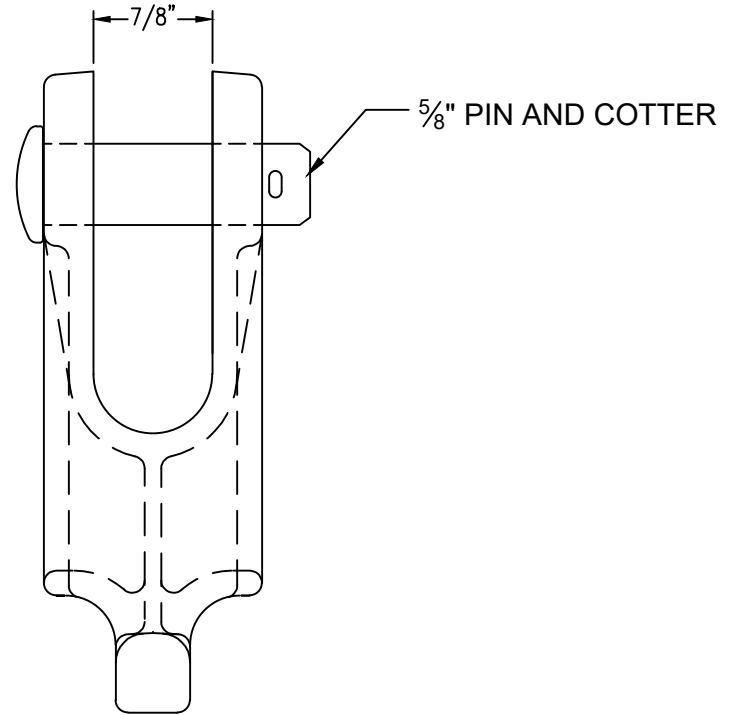
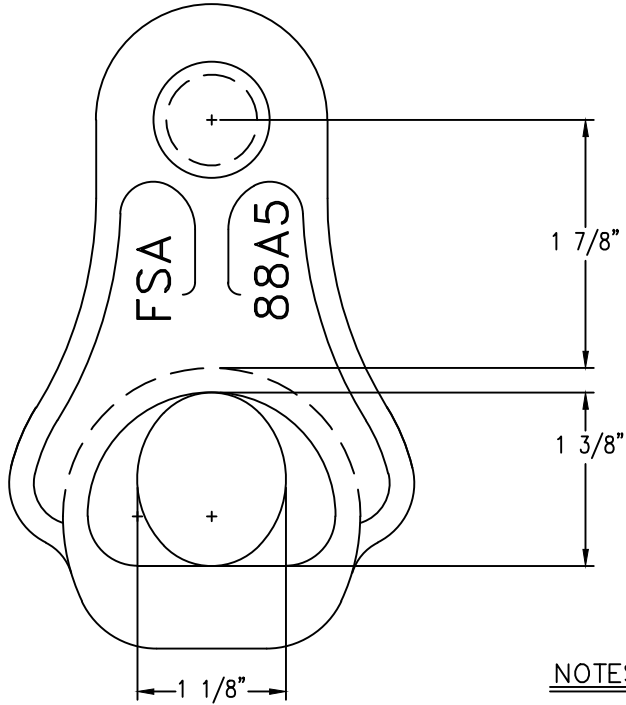


REVISIONS

NO.	DATE	DESCRIPTION	BY	CHKD
-----	------	-------------	----	------



NOTES:

- 1.0 MATERIAL—DUCTILE IRON PER ASTM A-536, GRADE 604018, BHN 143-187 MATERIAL CERTIFICATION REQUIRED.
- 2.0 COATING—HOT DIP GALVANIZE PER ASTM A-153.
- 3.0 EST. WEIGHT - 1.50 LBS W/CLEVIS PIN AND 1.733 LBS WITH "BC" SUFFIX.
- 4.0 RATED STRENGTH: 30,000 LBS
- 5.0 CAT. NO.: FSA-88A-5 WITH CLEVIS PIN. FSA-88A-5BC WITH BOLT NUT & COTTER.
- 6.0 DIMENSION IN INCHES.

*FSA-88A-5 IS USED TO SUB FSA-88-5 & CT-88 RATED 20KIPS.

MacLean Power Systems
BIRMINGHAM, ALABAMA

THIMBLE CLEVIS
CAT.: FSA-88A-5

ENG. REF.

This information is confidential and is the property of Maclean Power Systems. It may not be made public or reproduced except that the Customer may make copies for use solely in installation, maintenance and operation of products supplied by Maclean Power Systems.

DATE: 10/02/09	SCALE: NONE	NO. CEB-3743	R/0	SH. 1
DRW. BY: KMK	CHK. BY:			OF 1