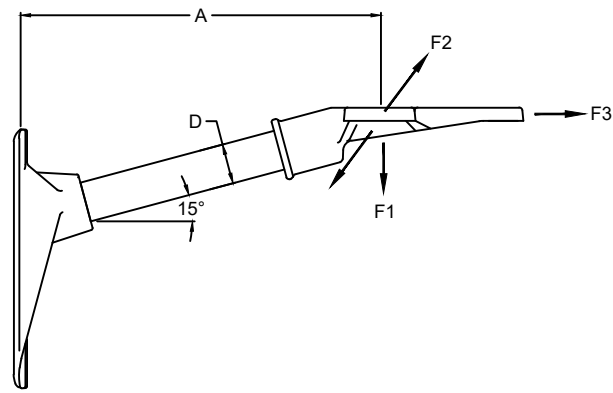
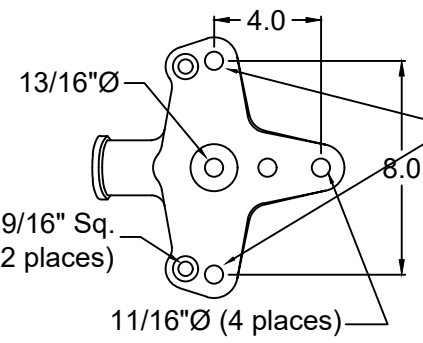


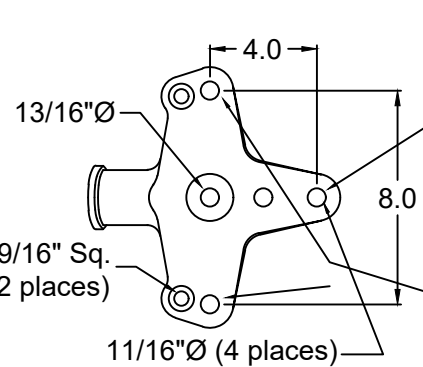
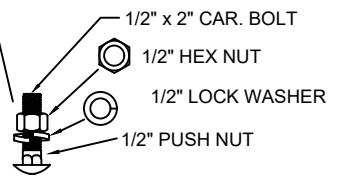
END FITTING VIEW  
 -\*GIACB-11/16M



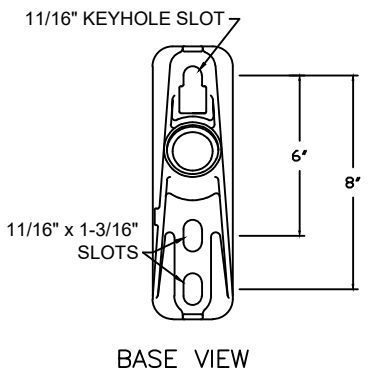
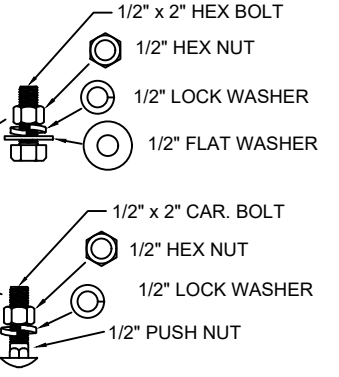
CATALOG NUMBER		LENGTHS (IN)		ULTIMATE MECHANICAL STRENGTHS (LBS)	
POLYURETHANE COATED SERIES	SILICONE RUBBER COATED SERIES	L1	VERTICAL	LONGITUDINAL	TRANSVERSE
G1MDA312AT	G1MDA312ATSC	12	1800	1400	10000
G1MDA315AT	G1MDA315ATSC	15	1500	1150	10000
G1MDA318AT	G1MDA318ATSC	18	1200	900	10000
G1MDA321AT	G1MDA321ATSC	21	1025	775	10000
G1MDA324AT	G1MDA324ATSC	24	900	700	10000



END FITTING VIEW  
 -\*GIACB-11/16MH (OPTIONAL, "-ATB")



END FITTING VIEW  
 -\*GIACB-11/16M-3B (OPTIONAL, "-ATX")



BASE VIEW

CATALOG NUMBER		LENGTHS (IN)		ULTIMATE MECHANICAL STRENGTHS (LBS)	
POLYURETHANE COATED SERIES	SILICONE RUBBER COATED SERIES	L1	VERTICAL	LONGITUDINAL	TRANSVERSE
G1MDA312ATB	G1MDA312ATBC	12	1800	1400	10000
G1MDA315ATB	G1MDA315ATBC	15	1500	1150	10000
G1MDA318ATB	G1MDA318ATBC	18	1200	900	10000
G1MDA321ATB	G1MDA321ATBC	21	1025	775	10000
G1MDA324ATB	G1MDA324ATBC	24	900	700	10000

NOTES:

- 1.0 MATERIAL
  - 1.1 BASE - DUCTILE IRON GRADE 654512
  - 1.2 END FITTING - ALUMINUM, A356-T6
  - 1.3 ROD - FIBERGLASS
- 2.0 FINISH
  - 2.1 BASE - HOT DIP GALVANIZED PER ASTM-A-153
  - 2.2 END FITTING - NONE
  - 2.3 ROD - ULTRAVIOLET PROTECTIVE VEIL COATING, GRAY (OPTIONAL) - VULCANIZED SILICONE RUBBER, GRAY
- 3.0 DIMENSIONS IN INCHES

REVISIONS

NO.	DATE	DESCRIPTION	BY
1	3/28/12	ADDED G1MDA318ATBC	KK
2	05/18/18	ADDED SUFFIX HARDWARE NOTE	MBC
3	11/18/21	CHANGED PAINT OPTION TO VEIL	BHB

**MACLEAN POWER SYSTEMS**  
 A Maclean-fogg Company

G1MDA3-"L"-AT SERIES  
 SINGLE PHASE VERTICAL PIN BRACKET

This information is confidential and is the property of Maclean Power Systems. It may not be made public or reproduced except that the Customer may make copies for use solely in installation, maintenance, and operation of products supplied by Maclean Power Systems.

DATE: 2-10-11 SCALE: 1:1 NO. CEB-3789  
 DWG. BY: KK CDD. BY: APR. BY: R/3 SH. DF.

ENG. REF.