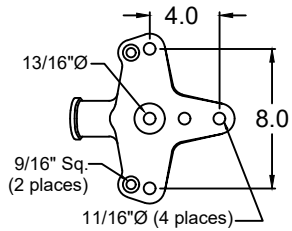
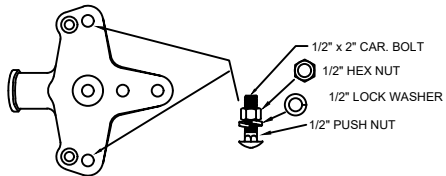


REVISIONS

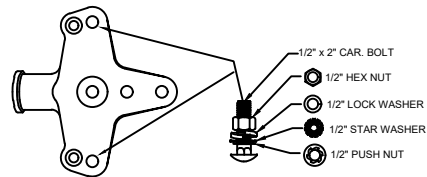
| NO. | DATE     | DESCRIPTION                  | BY  | CKD |
|-----|----------|------------------------------|-----|-----|
| 1   | 03/24/14 | ADDED 4313 SIZE              | WCL | WCL |
| 2   | 05/21/20 | UPDATED STAR WASHER VIEW     | EDB | MBG |
| 3   | 11/16/21 | CHANGED PAINT OPTION TO VEIL | BHB |     |



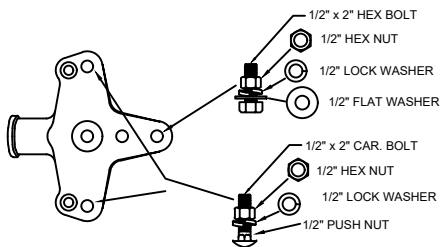
END FITTING VIEW (3:4 SCALE)  
-AT OR -ATSC SUFFIX



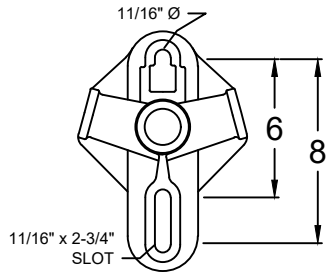
END FITTING VIEW (3:4 SCALE)  
-ATB OR -ATBC SUFFIX (OPTIONAL)



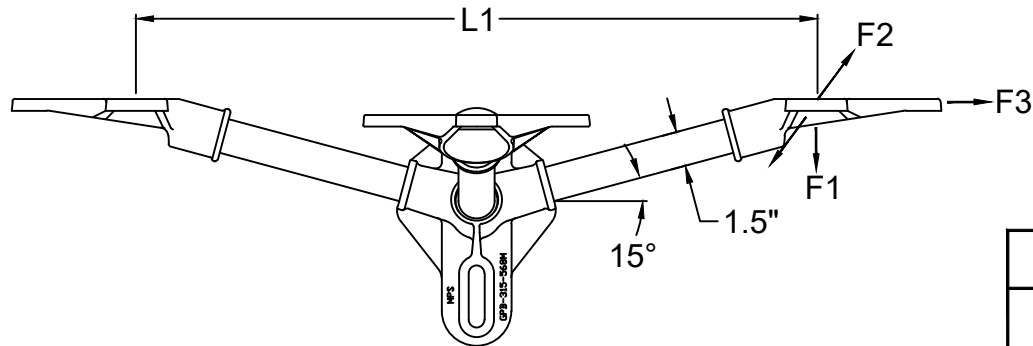
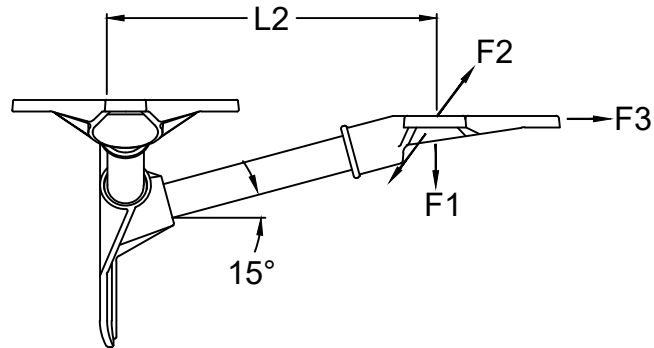
END FITTING VIEW (3:4 SCALE)  
-ATW OR -ATWC SUFFIX (OPTIONAL)



END FITTING VIEW (3:4 SCALE)  
-ATX SUFFIX (OPTIONAL)



END FITTING VIEW



| CATALOG NUMBER             |                               | LENGTHS (IN) |    | ULTIMATE MECHANICAL STRENGTHS (LBS) |          |           |
|----------------------------|-------------------------------|--------------|----|-------------------------------------|----------|-----------|
| POLYURETHANE COATED SERIES | SILICONE RUBBER COATED SERIES | L1           | L2 | F1 VERT.                            | F2 LONG. | F3 TRANS. |
| G3MAA13613AT               | G3MAA13613ATSC                | 36           | 13 | 1200                                | 900      | 10000     |
| G3MAA13618AT               | G3MAA13618ATSC                | 36           | 18 | 1200                                | 900      | 10000     |
| G3MAA14313AT               | G3MAA14313ATSC                | 43           | 13 | 1000                                | 675      | 10000     |
| G3MAA14813AT               | G3MAA14813ATSC                | 48           | 13 | 900                                 | 675      | 10000     |
| G3MAA14818AT               | G3MAA14818ATSC                | 48           | 18 | 900                                 | 675      | 10000     |
| G3MAA14824AT               | G3MAA14824ATSC                | 48           | 24 | 900                                 | 675      | 10000     |

NOTES:

1.0 MATERIAL

- 1.1 BASE - ALUMINUM, A356-T6
- 1.2 END FITTING - ALUMINUM, A356-T6
- 1.3 ROD - FIBERGLASS

2.0 FINISH

- 2.1 BASE - NONE
- 2.2 END FITTING - NONE
- 2.3 ROD - ULTRAVIOLET PROTECTIVE VEIL COATING, GRAY (OPTIONAL) - VULCANIZED SILICONE RUBBER, GRAY

3.0 DIMENSIONS IN INCHES



**MACLEAN POWER SYSTEMS**  
A Maclean-fogg Company

G3MAA1-"L1L2"-AT SERIES  
15° STANDOFF CUT-OUT & ARRESTOR  
BRACKET

|               |            |          |          |     |       |
|---------------|------------|----------|----------|-----|-------|
| DATE: 4/16/11 | SCALE: 1:1 | NO.:     | CEB-3793 | R/3 | SH/DF |
| DWG. BY: KK   | CHK. BY:   | APP. BY: |          |     |       |

This information is confidential and is the property of Maclean Power Systems. It may not be made public or reproduced except that the Customer may make copies for use solely in installation, maintenance, and operation of products supplied by Maclean Power Systems.

ENG. REF.