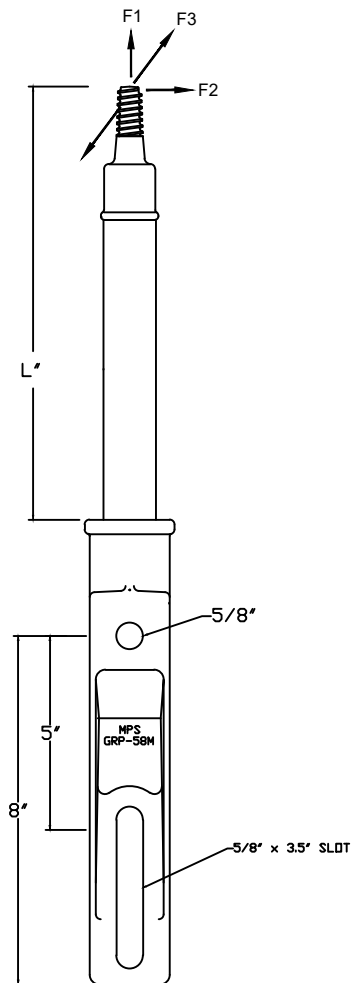


END FITTING VIEW - P6511-01



CATALOG NUMBER		LENGTHS (IN)	ULTIMATE MECHANICAL STRENGTHS (LBS)		
POLYURETHANE COATED SERIES	SILICONE RUBBER COATED SERIES	L1	VERTICAL F1	LONGITUDINAL F2	TRANSVERSE F3
G1MDR112AS1	G1MDR112AS1SC	12	2000	1400	1400
G1MDR113AS1	G1MDR113AS1SC	13	2000	1300	1300
G1MDR115AS1	G1MDR115AS1SC	15	2000	1125	1125
G1MDR116AS1	G1MDR116AS1SC	16	2000	1075	1075
G1MDR118AS1	G1MDR118AS1SC	18	2000	900	900
G1MDR119AS1	G1MDR119AS1SC	19	2000	850	850
G1MDR121AS1	G1MDR121AS1SC	21	2000	800	800
G1MDR124AS1	G1MDR124AS1SC	24	2000	700	700
G1MDR148AS1	G1MDR148AS1SC	48	2000	350	350

NOTES:

1.0 MATERIAL

- 1.1 BASE - DUCTILE IRON GRADE 654512
- 1.2 END FITTING - DUCTILE IRON GRADE 654512
- 1.3 ROD - FIBERGLASS

2.0 FINISH

- 2.1 BASE - HOT DIP GALVANIZED PER ASTM-A-153
- 2.2 END FITTING - HOT DIP GALVANIZED PER ASTM-A-153
- 2.3 ROD - ULTRAVIOLET PROTECTIVE VEIL COATING, GRAY (OPTIONAL) - VULCANIZED SILICONE RUBBER, GRAY

3.0 DIMENSIONS IN INCHES

REVISIONS

NO.	DATE	DESCRIPTION	BY	CHKD
2	11/21/19	ADDED 19" LENGTH	MBG	
3	03/24/21	ADDED 15" LENGTH	BHB	
4	04/15/21	ADDED 48" LENGTH	BHB	
5	11/16/21	CHANGED PAINT OPTION TO VEIL	BHB	

This information is confidential and is the property of Maclean Power Systems. It may not be made public or reproduced except that the Customer may make copies for use solely in installation, maintenance, and operation of products supplied by Maclean Power Systems.



MACLEAN POWER SYSTEMS
A Maclean-fogg Company

G1MDR1-"L" - AS1 SERIES
POLE TOP BRACKET

DATE: 6-5-12	SCALE: 1:1	NO.:	CEB-3800	R/5	SH/
DRW. BY: MYL	CHKD. BY:	APR. BY:			DF

ENG. REF.