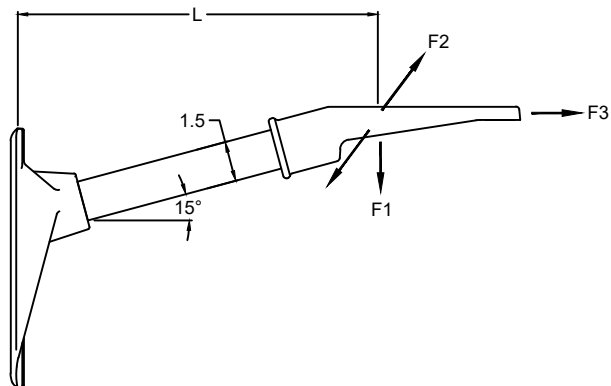
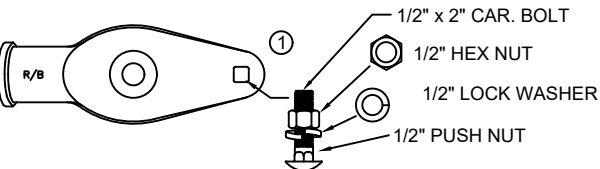


END FITTING VIEW - "AA" OR "AASC"

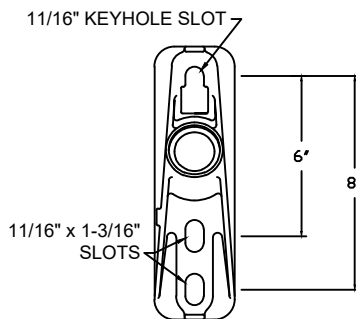


CATALOG NUMBER		LENGTHS (IN)		ULTIMATE MECHANICAL STRENGTHS (LBS)	
POLYURETHANE COATED SERIES	SILICONE RUBBER COATED SERIES	L1	VERTICAL	LONGITUDINAL	TRANSVERSE
G1MDA312AA	G1MDA312AASC	12	1800	1400	10000
G1MDA315AA	G1MDA315AASC	15	1500	1150	10000
G1MDA318AA	G1MDA318AASC	18	1200	900	10000
G1MDA321AA	G1MDA321AASC	21	1025	775	10000
G1MDA324AA	G1MDA324AASC	24	900	700	10000
G1MDA330AA	G1MDA330AASC	30	725	550	10000
G1MDA344AA	G1MDA344AASC	44	500	375	10000

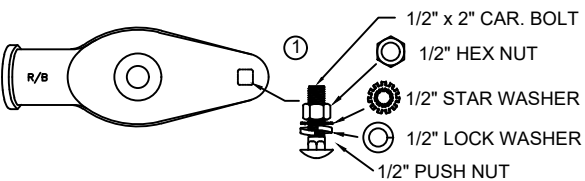
CATALOG NUMBER		LENGTHS (IN)		ULTIMATE MECHANICAL STRENGTHS (LBS)	
POLYURETHANE COATED SERIES	SILICONE RUBBER COATED SERIES	L1	VERTICAL	LONGITUDINAL	TRANSVERSE
G1MDA312AAB	G1MDA312AABC	12	1800	1400	10000
G1MDA315AAB	G1MDA315AABC	15	1500	1150	10000
G1MDA318AAB	G1MDA318AABC	18	1200	900	10000
G1MDA321AAB	G1MDA321AABC	21	1025	775	10000
G1MDA324AAB	G1MDA324AABC	24	900	700	10000
G1MDA330AAB	G1MDA330AABC	30	725	550	10000
G1MDA344AAB	G1MDA344AABC	44	500	375	10000



END FITTING VIEW - "AAB" OR "AABC"



BASE VIEW



END FITTING VIEW - "AAW"

NOTES:

- 1.0 MATERIAL
 - 1.1 BASE - DUCTILE IRON GRADE 654512
 - 1.2 END FITTING - ALUMINUM, A356-T6
 - 1.3 ROD - FIBERGLASS
- 2.0 FINISH
 - 2.1 BASE - HOT DIP GALVANIZED PER ASTM-A-153
 - 2.2 END FITTING - NONE
 - 2.3 ROD - ULTRAVIOLET PROTECTIVE VEIL COATING, GRAY (OPTIONAL) - VULCANIZED SILICONE RUBBER, GRAY
- 3.0 DIMENSIONS IN INCHES

REVISIONS

NO.	DATE	DESCRIPTION	BY	CKD
1	1/12/13	REMOVED ROUND HOLES.	WCL	WCL
1	11/16/21	CHANGED PAINT OPTION TO VEIL	BHB	



MACLEAN POWER SYSTEMS
A Maclean-fogg Company

G1MDA3-"L"-AA SERIES
SINGLE PHASE VERTICAL PIN BRACKET

This information is confidential and is the property of Maclean Power Systems. It may not be made public or reproduced except that the Customer may make copies for use solely in installation, maintenance, and operation of products supplied by Maclean Power Systems.

DATE: 12/19/11	SCALE: 1:1	NO.:	CEB-3851	R/2	SH/DF
DWN: CR	CD: BR	APR: BR			