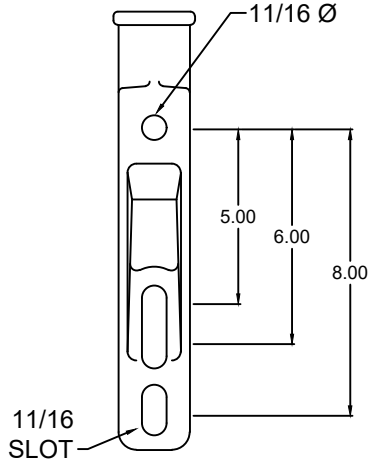
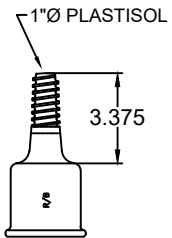


REVISIONS

NO.	DATE	DESCRIPTION	BY	CKD
1	11/03/20	ADDED 13" LENGTH OPTION	BHB	
2	08/31/21	CORRECTED MECHANICAL RATINGS	BHB	
3	11/16/21	CHANGED PAINT OPTION TO VEIL	BHB	



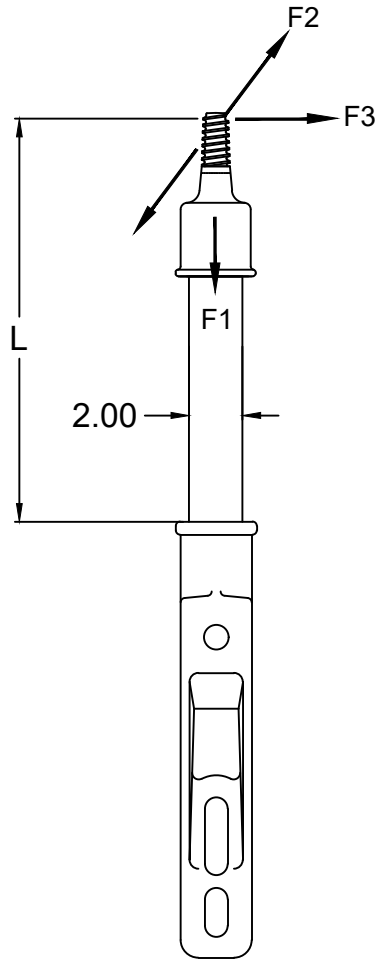
BASE VIEW



END FITTING

NOTES:

- 1.0 MATERIAL
 - 1.1 BASE - DUCTILE IRON 654512
 - 1.2 END FITTING - ALUMINUM A356-T6
 - 1.3 ROD - FIBERGLASS
- 2.0 FINISH
 - 2.1 BASE - HOT DIP GALVANIZED PER ASTM-A-153
 - 2.2 END FITTING - NONE
 - 2.3 ROD - ULTRAVIOLET PROTECTIVE VEIL COATING, MUNSEL GRAY (OPTIONAL) - VULCANIZED SILICONE RUBBER, GRAY
- 3.0 DIMENSIONS IN INCHES



CATALOG NUMBER		LENGTHS (IN)	ULTIMATE MECHANICAL STRENGTHS (LBS)		
POLYURETHANE COATED SERIES	SILICONE RUBBER COATED SERIES	L1	VERTICAL	LONGITUDINAL	TRANSVERSE
G1HDR112AS1	G1HDR112AS1SC	12	2500	2500	2500
G1HDR113AS1	G1HDR113AS1SC	18	2500	2500	2500
G1HDR118AS1	G1HDR118AS1SC	18	2500	2150	2150
G1HDR121AS1	G1HDR121AS1SC	21	2500	1900	1900
G1HDR124AS1	G1HDR124AS1SC	24	2500	1750	1750
G1HDR128AS1	G1HDR128AS1SC	28	2500	1400	1400
G1HDR130AS1	G1HDR130AS1SC	30	2500	1300	1300
G1HDR136AS1	G1HDR136AS1SC	36	2500	1100	1100
G1HDR140AS1	G1HDR140AS1SC	40	2500	1000	1000
G1HDR145AS1	G1HDR145AS1SC	45	2500	875	875
G1HDR148AS1	G1HDR148AS1SC	48	2500	825	825



MACLEAN POWER SYSTEMS
A Maclean-fogg Company

G1HDR1-"L"-AS1 SERIES
SINGLE PHASE HORIZONTAL PIN BRACKET

This information is confidential and is the property of Maclean Power Systems. It may not be made public or reproduced except that the Customer may make copies for use solely in installation, maintenance, and operation of products supplied by Maclean Power Systems.

DATE: 2-23-12	SCALE: 1:1	NO. CEB-3869	R 3	SH
DRAWN BY: KK	CHKD BY:	APR. BY:	DF	