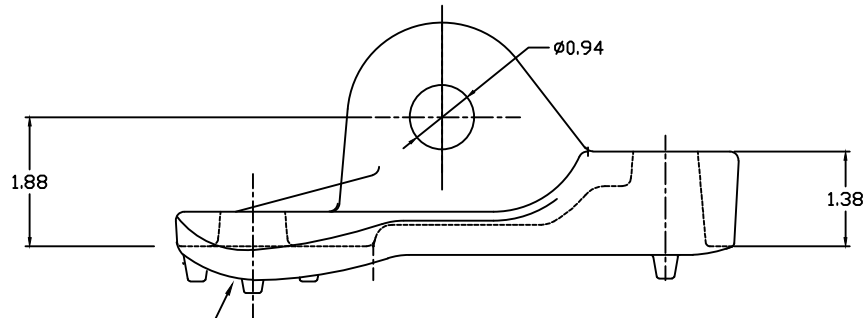
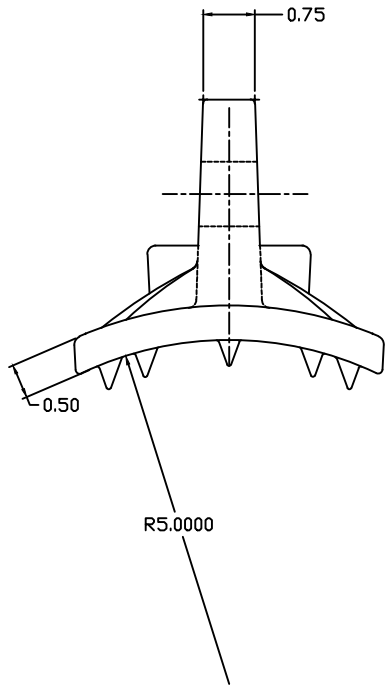
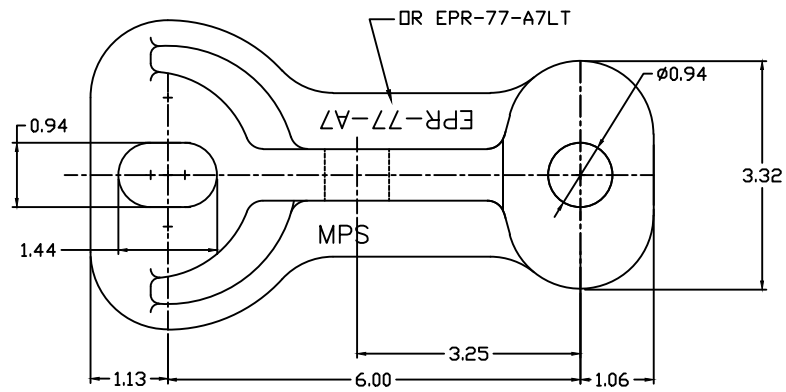


REVISIONS

NO.	DATE	DESCRIPTION	BY	CKD

NOTES:

- 1.0 MATERIAL: DUCTILE IRON 654512
- 2.0 FINISH: HOT DIP GALVANIZED PER ASTM A-153
- 3.0 DIMENSIONS IN INCHES



FOR EPR-77-A7LT  
REMOVE ALL TEETH



**MACLEAN POWER SYSTEMS**  
A Maclean-togg Company

EPR-77-A7 & EPR-77-A7LT  
POLE EYE PLATE

This information is confidential and is the property of Maclean Power Systems. It may not be made public or reproduced except that the Customer may make copies for use solely in installation, maintenance, and operation of products supplied by Maclean Power Systems.

DATE: 2-27-12	SCALE: 1:1	NO.	CEB-3877	R/0	SH/
DRN: KK	CKD: BR	APR: BR			

ENG. REF.