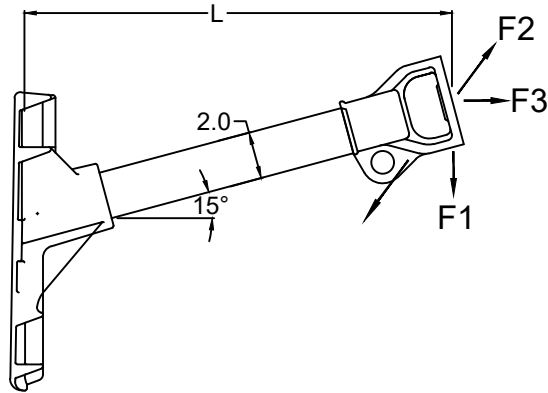
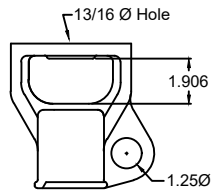


REVISIONS

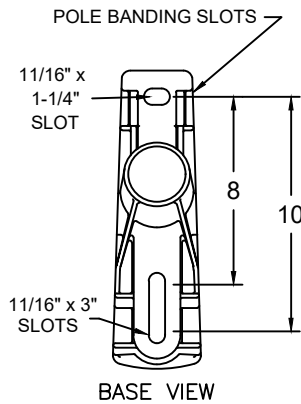
| NO. | DATE     | DESCRIPTION                  | BY  | CKD |
|-----|----------|------------------------------|-----|-----|
| 1   | 11/17/21 | CHANGED PAINT OPTION TO VEIL | BHB |     |



| CATALOG NUMBER             |                               | LENGTHS (IN) | ULTIMATE MECHANICAL STRENGTHS (LBS) |                 |               |
|----------------------------|-------------------------------|--------------|-------------------------------------|-----------------|---------------|
| POLYURETHANE COATED SERIES | SILICONE RUBBER COATED SERIES | L1           | VERTICAL F1                         | LONGITUDINAL F2 | TRANSVERSE F3 |
| G1HAA512AH                 | G1HAA512AHSC                  | 12           | 3000                                | 1800            | 10000         |
| G1HAA514AH                 | G1HAA514AHSC                  | 14           | 2900                                | 1900            | 10000         |
| G1HAA518AH                 | G1HAA518AHSC                  | 18           | 2250                                | 1500            | 10000         |
| G1HAA521AH                 | G1HAA521AHSC                  | 21           | 1950                                | 1300            | 10000         |
| G1HAA524AH                 | G1HAA524AHSC                  | 24           | 1750                                | 1100            | 10000         |



END FITTING - P-6391-01E



BASE VIEW

NOTES:

- 1.0 MATERIAL
  - 1.1 BASE - ALUMINUM, A356-T6
  - 1.2 END FITTING - ALUMINUM, A356-T6
  - 1.3 ROD - FIBERGLASS
- 2.0 FINISH
  - 2.1 BASE - NONE
  - 2.2 END FITTING - NONE
  - 2.3 ROD - ULTRAVIOLET PROTECTIVE VEIL COATING, GRAY (OPTIONAL) - VULCANIZED SILICONE RUBBER, GRAY
- 3.0 DIMENSIONS IN INCHES

**MACLEAN POWER SYSTEMS**  
A Maclean-fogg Company

G1HAA5-"L"-AH SERIES  
SINGLE PHASE, ANGLED DOUBLE POSITION

This information is confidential and is the property of Maclean Power Systems. It may not be made public or reproduced except that the Customer may make copies for use solely in installation, maintenance, and operation of products supplied by Maclean Power Systems.

|                |            |        |          |        |          |
|----------------|------------|--------|----------|--------|----------|
| DATE: 6-06-12  | SCALE: 1:1 | NO.    | CEB-3956 | R<br>1 | SH<br>DF |
| DRAWN BY: MYLI | CHKD BY:   | APR. 1 |          |        |          |

ENG. REF.