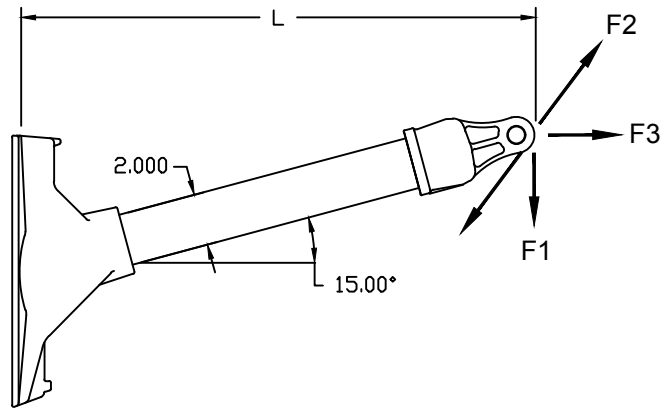
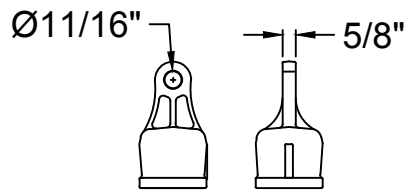


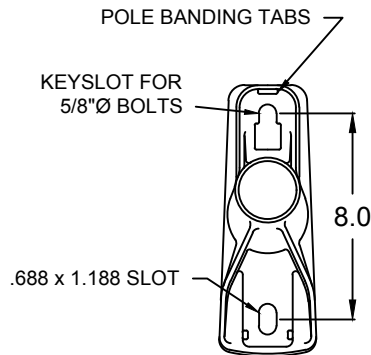
REVISIONS				
NO.	DATE	DESCRIPTION	BY	CHKD
1	08/31/17	ADDED 23" LENGTH	MBG	



CATALOG NUMBER		LENGTHS (IN)	ULTIMATE MECHANICAL STRENGTHS (LBS)		
POLYURETHANE COATED SERIES	SILICONE RUBBER COATED SERIES	L1	VERTICAL F1	LONGITUDINAL F2	TRANSVERSE F3
G1HDA315DE	G1HDA315DESC	15	2700	1800	10000
G1HDA318DE	G1HDA318DESC	18	2250	1500	10000
G1HDA320DE	G1HDA320DESC	20	2000	1350	10000
G1HDA321DE	G1HDA321DESC	21	1950	1300	10000
G1HDA323DE	G1HDA323DESC	23	1775	1175	10000
G1HDA324DE	G1HDA324DESC	24	1700	1125	10000
G1HDA330DE	G1HDA330DESC	30	1350	900	10000



END FITTING VIEW - >E-2.00-1



BASE VIEW

NOTES:

- 1.0 MATERIAL
 - 1.1 BASE - DUCTILE IRON GRADE 654512
 - 1.2 END FITTING - DUCTILE IRON GRADE 654512
 - 1.3 ROD - FIBERGLASS
- 2.0 FINISH
 - 2.1 BASE - HOT DIP GALVANIZED PER ASTM-A-153
 - 2.2 END FITTING - HOT DIP GALVANIZED PER ASTM-A-153
 - 2.3 ROD - ULTRAVIOLET PROTECTIVE COATING, MUNSEL GRAY (OPTIONAL) - VULCANIZED SILICONE RUBBER, GRAY
- 3.0 DIMENSIONS IN INCHES



MACLEAN POWER SYSTEMS
A Maclean-fogg Company

G1HDA3-"L"-DE SERIES
SINGLE PHASE W/ SUSPENSION EYE BRACKET

This information is confidential and is the property of Maclean Power Systems. It may not be made public or reproduced except that the Customer may make copies for use solely in installation, maintenance, and operation of products supplied by Maclean Power Systems.

DATE: 6-07-12	SCALE: 1:1	NO.:	CEB-3973	R 1	SPL
DRN: MYL	CHK: BPC	APP: BPC			

ENG. REF.