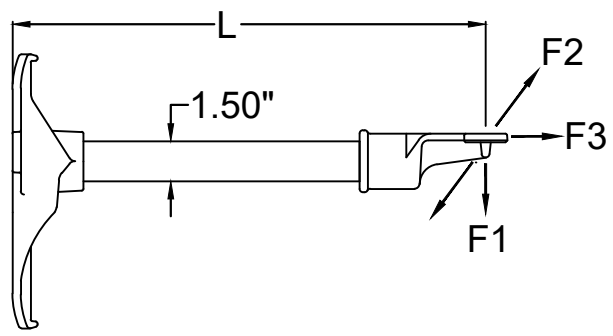
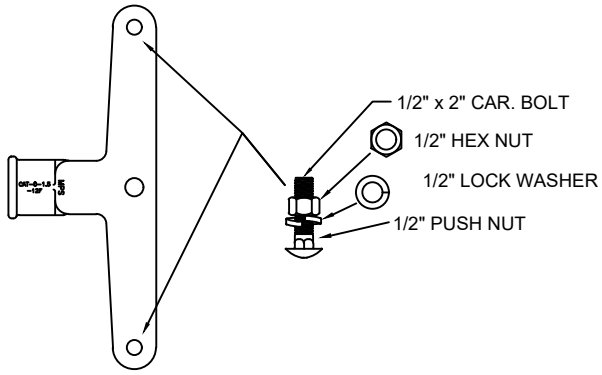


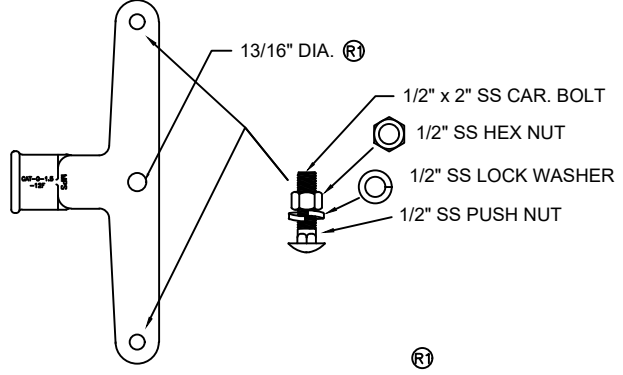
END FITTING VIEW -DD, -DDSC SUFFIX
->CAT-0-1.5-12FC



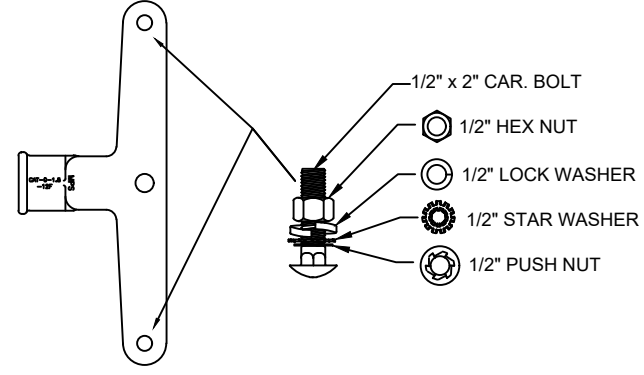
CATALOG NUMBER		LENGTHS (IN)	ULTIMATE MECHANICAL STRENGTHS (LBS)		
POLYURETHANE COATED SERIES	SILICONE RUBBER COATED SERIES	L1	VERTICAL F1	LONGITUDINAL F2	TRANSVERSE F3
G1MA0112DD	G1MA0112DDSC	12	1800	1400	10000
G1MA0115DD	G1MA0115DDSC	15	1500	1150	10000
G1MA0118DD	G1MA0118DDSC	18	1200	900	10000
G1MA0120DD	G1MA0120DDSC	20	1100	835	10000
G1MA0121DD	G1MA0121DDSC	21	1050	800	10000
G1MA0124DD	G1MA0124DDSC	24	900	700	10000
G1MA0130DD	G1MA0130DDSC	30	725	550	10000
G1MA0136DD	G1MA0136DDSC	36	600	450	10000



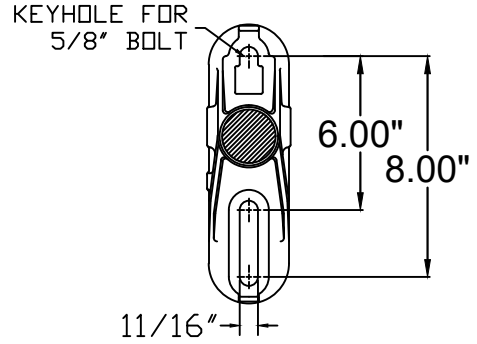
END FITTING VIEW -DDB, -DDBC SUFFIX
->CAT-0-1.5-12F-H (OPTIONAL)
W/ HARDWARE



END FITTING VIEW -DDH & C10 SUFFIX
->CAT-0-1.5-12F-SSL (OPTIONAL)
W/ HARDWARE



END FITTING VIEW -DDW SUFFIX
->CAT-0-1.5-12F-HW (OPTIONAL)
W/ HARDWARE



11/16" KEYHOLE FOR 5/8" BOLT
BASE VIEW

- NOTES:
- 1.0 MATERIAL
 - 1.1 BASE - ALUMINUM, A356-T6
 - 1.2 END FITTING - DUCTILE IRON GRADE 654512
 - 1.3 ROD - FIBERGLASS
 - 2.0 FINISH
 - 2.1 BASE - NONE
 - 2.2 END FITTING - HOT DIP GALVANIZED PER ASTM-A-153
 - 2.3 ROD - ULTRAVIOLET PROTECTIVE VEIL COATING, GRAY (OPTIONAL) - VULCANIZED SILICONE RUBBER, GRAY
 - 3.0 DIMENSIONS IN INCHES

NO.	DATE	DESCRIPTION	BY	CHKD
4	11/18/21	CHANGED PAINT OPTION TO VEIL	FDB	
3	05/21/20	UPDATED STAR WASHER VIEW	FDB	
2	05/05/14	ADDED 20" SIZE	WCL	WCL
1	03/19/14	ADDED 13/16" DIA. & "C10"	WCL	WCL

REVISIONS

MACLEAN POWER SYSTEMS
A Maclean-fogg Company

G1MA01-"L"-DD SERIES
SINGLE PHASE DOUBLE POSITION BRACKET

This information is confidential and is the property of Maclean Power Systems. It may not be made public or reproduced except that the Customer may make copies for use solely in installation, maintenance, and operation of products supplied by Maclean Power Systems.

DATE: 6-07-12	SCALE: 1:1	NO. CEB-3983	R/4	SH/DF
DWN: MYL	CD: APR			
BY: MYL	BY: APR			

ENG. REF.