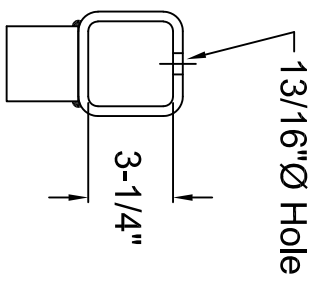
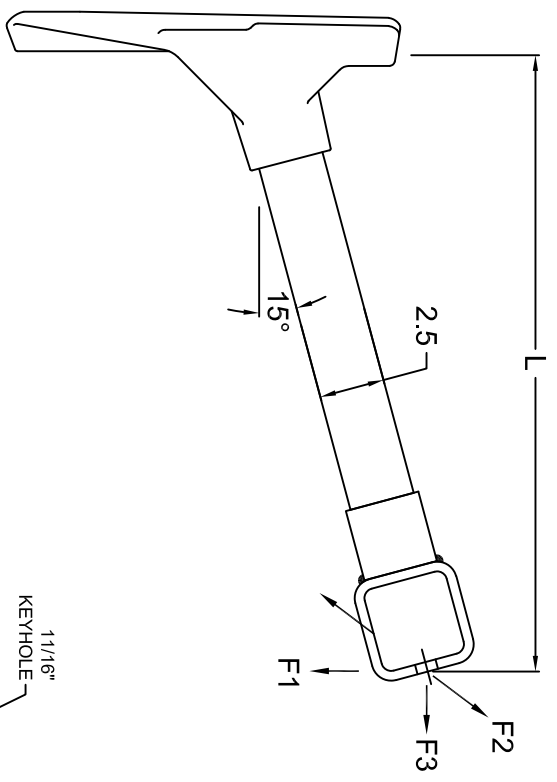
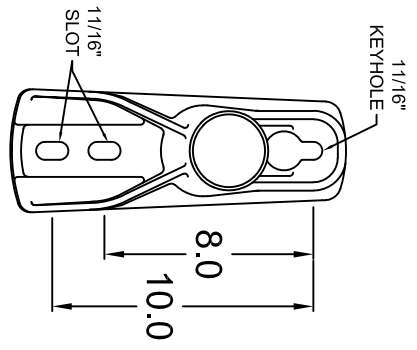


REVISIONS			
NO.	DATE	DESCRIPTION	BY
1	07/05/18	BASE MODIFIED TO HAVE KEYHOLE	MSG
2	09/20/21	REMOVED PAINT OPTION	BHB



END FITTING VIEW - G1XAA134SH




BASE VIEW

CATALOG NUMBER	LENGTHS (IN)	ULTIMATE MECHANICAL STRENGTHS (LBS)		
SILICONE RUBBER COATED SERIES	L1	VERTICAL	LONGITUDINAL	TRANSVERSE
G1XAA124SH	24	4500	3500	10000
G1XAA130SH	30	3600	2800	10000
G1XAA134SH	34	3150	2550	10000
G1XAA148SH	48	2250	1750	10000
G1XAA160SH	60	1800	1400	10000
G1XAA172SH	72	1450	1200	10000

- NOTES:
- 1.0 MATERIAL
 - 1.1 BASE - ALUMINUM, A356-T6
 - 1.2 END FITTING - DUCTILE IRON GRADE 654512
 - 1.3 ROD - FIBERGLASS
 - 2.0 FINISH
 - 2.1 BASE - NONE
 - 2.2 END FITTING - HOT DIP GALVANIZED PER ASTM-A-153
 - 2.3 ROD - VULCANIZED SILICONE RUBBER, GRAY
 - 3.0 DIMENSIONS IN INCHES

ENG. REF.

This information is confidential and is the property of Maclean Power Systems. It may not be made public or reproduced except that the customer may make copies for use solely in the maintenance, installation, and operation of products supplied by Maclean Power Systems.



MACLEAN POWER SYSTEMS
A Maclean-togg Company

G1XAA1-"L"-SH SERIES
SINGLE PHASE HORIZONTAL POST INSULATOR BRACKET

DATE 6-25-12	SCALE 1:1	NO.	CEB-4068
DRN	APP	REV	REV

R / 2