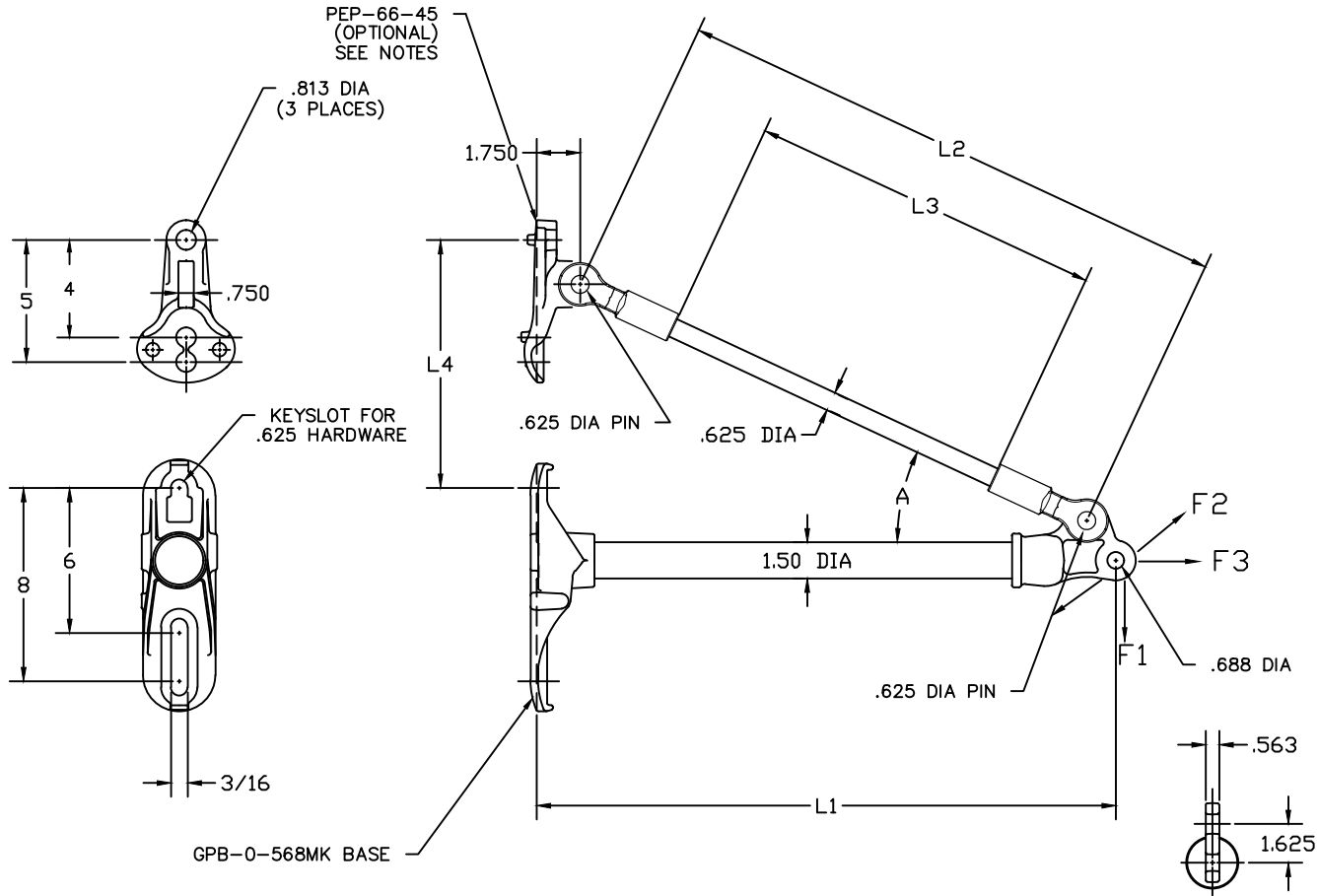


REVISIONS

NO.	DATE	DESCRIPTION	BY	CKD
1	10/25/17	.625" dia rod was .750"	MBG	

CATALOG NUMBER	LENGTHS (IN)					ULTIMATE LOAD (lbs.)		
	L1	L2	L3	L4	A	F1 Vert.	F2 Long.	F3 Trans.
POLYURETHANE COATED SERIES								
GSWG-24M-2E5	24	23.500	15.500	10.313	25°	10,000	675	10,000
GSWG-34M-2E5	34	34.500	26.500	15.188	25°	10,000	475	10,000
GSWG-36M-2E5	36	36.500	28.500	15.625	25°	10,000	450	10,000
GSWG-48M-2E5	48	50.000	42.000	21.813	25°	10,000	350	10,000



NOTES

- 1.0 MATERIAL
 - 1.1 BASE - ALUMINUM ALLOY A356-T6
 - 1.2 OTHER CASTINGS - DUCTILE IRON 654512
 - 1.3 ROD - FIBERGLASS
- 2.0 FINISH
 - 2.1 CASTINGS (OTHER THAN BASE) - HOT DIP GALVANIZE PER ASTM A153
 - 2.2 ROD - ULTRAVIOLET PROTECTIVE COATING, MUNSEL GRAY
- 3.0 DIMENSIONS IN INCHES
- 4.0 OPTIONS
 - 4.1 FOR OPTIONAL PEP-66-45 REPLACE SUFFIX "2E5" WITH "FPC" (EX. GSWG-24M-FPC)

MacLean Power Systems
BIRMINGHAM, ALABAMA

GSWG-"L1"M-2E5 SERIES
FIBERGLASS SIDEWALK BRACKET

ENG. REF.

This information is confidential and is the property of Maclean Power Systems. It may not be made public or reproduced except that the Customer may make copies for use solely in installation, maintenance and operation of products supplied by Maclean Power Systems.

DATE: 7-05-12	SCALE: NONE	NO.:	CEB-4091	R/1	SHL 1
CHK: MYL	CRD: BR	APP: BR			OF 1