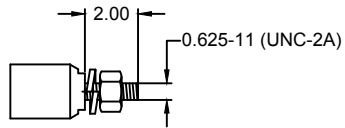
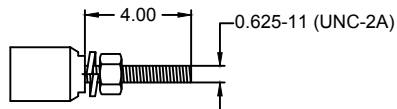


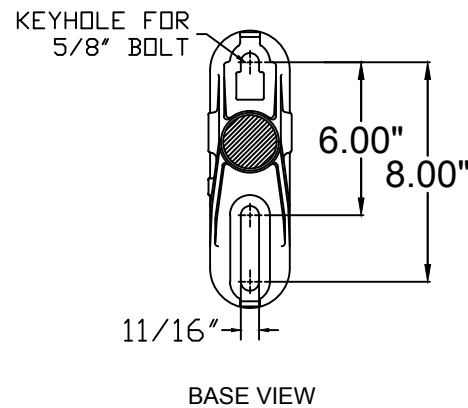
CATALOG NUMBER		LENGTHS (IN)	ULTIMATE MECHANICAL STRENGTHS (LBS)		
POLYURETHANE COATED SERIES	SILICONE RUBBER COATED SERIES		VERTICAL F1	LONGITUDINAL F2	TRANSVERSE F3
G1MA0112DF	G1MA0112DFSC	12	1800	1400	10000
G1MA0115DF	G1MA0115DFSC	15	1500	1150	10000
G1MA0118DF	G1MA0118DFSC	18	1200	900	10000
G1MA0121DF	G1MA0121DFSC	21	1050	800	10000
G1MA0124DF	G1MA0124DFSC	24	900	700	10000
G1MA0130DF	G1MA0130DFSC	30	725	550	10000
G1MA0136DF	G1MA0136DFSC	36	600	450	10000
G1MA0148DF	G1MA0148DFSC	48	450	325	10000



END FITTING VIEW : "DF" OR "DFSC"  
1.5-5E-CR WITH 2.5" BOLT



END FITTING VIEW : "DFB" OR "DFBSC"  
1.5-5E-CR WITH 4.5" BOLT



NOTES:

- 1.0 MATERIAL
  - 1.1 BASE - ALUMINUM, A356-T6
  - 1.2 END FITTING - ALUMINUM, A356-T6
  - 1.3 ROD - FIBERGLASS
- 2.0 FINISH
  - 2.1 BASE - NONE
  - 2.2 END FITTING - NONE
  - 2.3 ROD - ULTRAVIOLET PROTECTIVE COATING, MUNSEL GRAY (OPTIONAL) - VULCANIZED SILICONE RUBBER, GRAY
- 3.0 DIMENSIONS IN INCHES

REVISIONS				
NO.	DATE	DESCRIPTION	BY	CHK
1	11/08/18	ADDED 48" OPTION	MBG	

**MACLEAN POWER SYSTEMS**  
A Maclean-fogg Company

**G1MA01-"L"-DF SERIES**  
SINGLE PHASE FIBER OPTIC SUPPORT BRACKET

This information is confidential and is the property of Maclean Power Systems. It may not be made public or reproduced except that the Customer may make copies for use solely in installation, maintenance, and operation of products supplied by Maclean Power Systems.

DATE: 1-03-14	SCALE: 1:1	NO. CEB-4180	R 1	SH
DWN: WCL	CHK: BR	APP: BR		DF

ENG. REF.