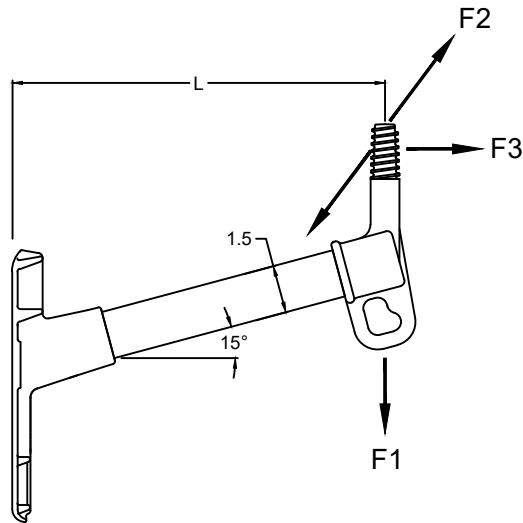
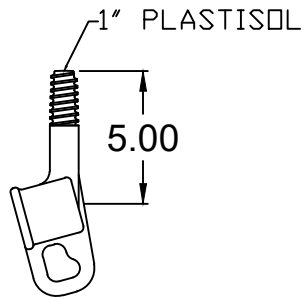


REVISIONS

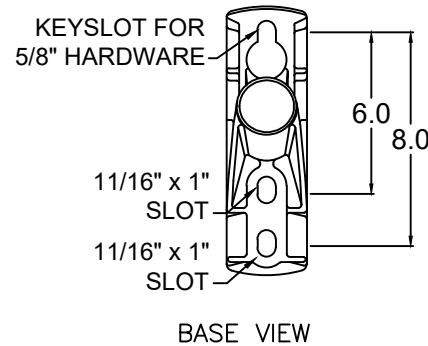
NO.	DATE	DESCRIPTION	BY	CKD
1	11/19/21	CHANGED PAINT OPTION TO VEIL	EDB	



CATALOG NUMBER		LENGTHS (IN)		ULTIMATE MECHANICAL STRENGTHS (LBS)	
POLYURETHANE COATED SERIES	SILICONE RUBBER COATED SERIES	L1	VERTICAL	LONGITUDINAL	TRANSVERSE
G1MAA312AV1	G1MAA312AV1SC	12	1800	1400	2000
G1MAA313AV1	G1MAA313AV1SC	13	1700	1250	2000
G1MAA315AV1	G1MAA315AV1SC	15	1500	1150	2000
G1MAA318AV1	G1MAA318AV1SC	18	1200	900	2000
G1MAA321AV1	G1MAA321AV1SC	21	1025	775	2000
G1MAA324AV1	G1MAA324AV1SC	24	900	700	2000



END FITTING VIEW - P6523-01



NOTES:

- 1.0 MATERIAL
  - 1.1 BASE - ALUMINUM, A356-T6
  - 1.2 END FITTING - ALUMINUM, A356-T6
  - 1.3 ROD - FIBERGLASS
- 2.0 FINISH
  - 2.1 BASE - NONE
  - 2.2 END FITTING - NONE
  - 2.3 ROD - ULTRAVIOLET PROTECTIVE VEIL COATING, GRAY (OPTIONAL) - VULCANIZED SILICONE RUBBER, GRAY
- 3.0 DIMENSIONS IN INCHES



**MACLEAN POWER SYSTEMS**  
A Maclean-fogg Company

G1MAA3-"L"-AV1 SERIES  
SINGLE PHASE DOUBLE POSITION BRACKET

This information is confidential and is the property of Maclean Power Systems. It may not be made public or reproduced except that the Customer may make copies for use solely in installation, maintenance, and operation of products supplied by Maclean Power Systems.

DATE: 4-28-15	SCALE: 1:1	NO. CEB-4197	R 1	SH
DRN: WCL	CD. BY:	APR. BY:	DF	