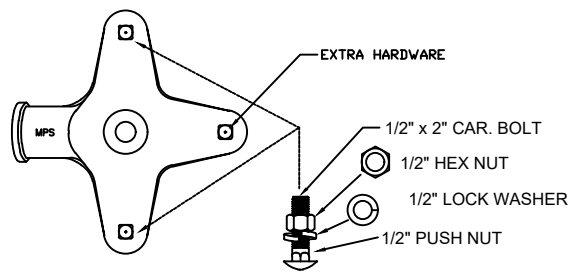
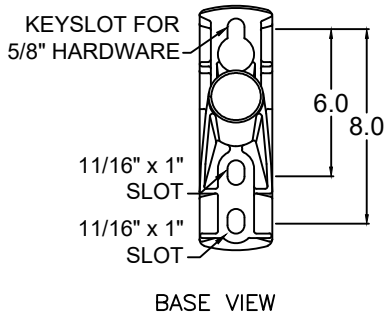
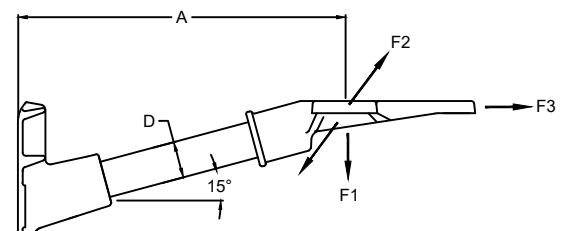
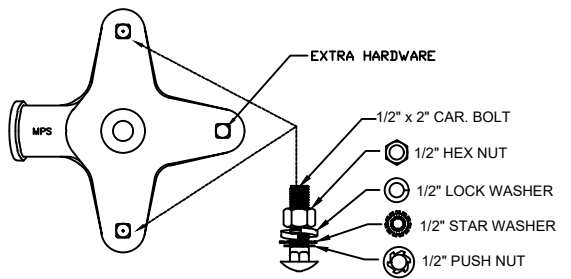


END FITTING: "AX" AND "AXSC"



END FITTING (SHOWN): "AXB" AND "AXBC"  
FOR EXTRA HARDWARE - "AXX" AND "AXXC"  
FOR STAINLESS HARDWARE - "AXH" AND "AXCH"



END FITTING (SHOWN): "AXW" AND "AXWC"  
FOR EXTRA HARDWARE - "AXY" AND "AXYC"  
FOR STAINLESS HARDWARE - "AXWH" AND "AXWCH"

CATALOG NUMBER		LENGTHS (IN)		ULTIMATE MECHANICAL STRENGTHS (LBS)	
POLYURETHANE COATED SERIES	SILICONE RUBBER COATED SERIES	L1	VERTICAL	LONGITUDINAL	TRANSVERSE
G1MAA312AX	G1MAA312AXSC	12	1800	1400	10000
G1MAA315AX	G1MAA315AXSC	15	1500	1150	10000
G1MAA318AX	G1MAA318AXSC	18	1200	900	10000
G1MAA321AX	G1MAA321AXSC	21	1025	775	10000
G1MAA324AX	G1MAA324AXSC	24	900	700	10000

CATALOG NUMBER		LENGTHS (IN)		ULTIMATE MECHANICAL STRENGTHS (LBS)	
POLYURETHANE COATED SERIES	SILICONE RUBBER COATED SERIES	L1	VERTICAL	LONGITUDINAL	TRANSVERSE
G1MAA312AXB	G1MAA312AXBBC	12	1800	1400	10000
G1MAA315AXB	G1MAA315AXBBC	15	1500	1150	10000
G1MAA318AXB	G1MAA318AXBBC	18	1200	900	10000
G1MAA321AXB	G1MAA321AXBBC	21	1025	775	10000
G1MAA324AXB	G1MAA324AXBBC	24	900	700	10000

NOTES:

- 1.0 MATERIAL
  - 1.1 BASE - ALUMINUM, A356-T6
  - 1.2 END FITTING - ALUMINUM, A356-T6
  - 1.3 ROD - FIBERGLASS
- 2.0 FINISH
  - 2.1 BASE - HOT DIP GALVANIZED PER ASTM-A-153
  - 2.2 END FITTING - NONE
  - 2.3 ROD - ULTRAVIOLET PROTECTIVE VEIL COATING, GRAY (OPTIONAL) - VULCANIZED SILICONE RUBBER, GRAY
- 3.0 DIMENSIONS IN INCHES

REVISIONS

NO.	DATE	DESCRIPTION	BY	CHKD
1	06/05/18	ADDED STAINLESS STEEL HARDWARE NOTES	MBG	
2	06/20/19	ADDED EXTRA HARDWARE NOTES	MBG	
3	05/21/20	UPDATED STAR WASHER VIEW	EDB	
4	11/19/21	CHANGED PAINT OPTION TO VEIL	EDB	



G1MAA3-"L"-AX SERIES  
SINGLE PHASE TRIPLE POSITION BRACKET

This information is confidential and is the property of Maclean Power Systems. It may not be made public or reproduced except that the Customer may make copies for use solely in installation, maintenance, and operation of products supplied by Maclean Power Systems.

DATE: 6-5-15	SCALE: 1:1	NO. CEB-4201	R/4	SH/DF
DWG. BY: WCL	CHKD. BY:	APR. BY:		

ENG. REF.