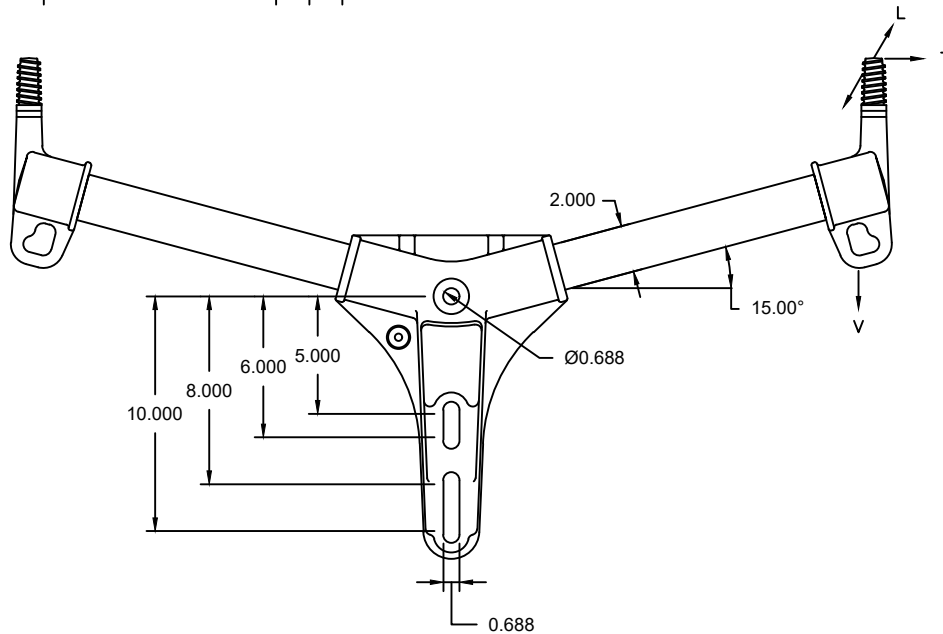
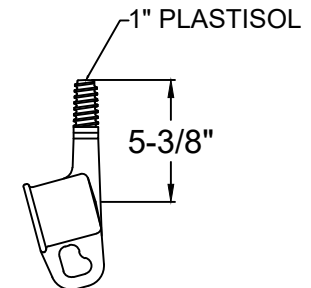


REVISIONS

NO.	DATE	DESCRIPTION	BY	CHKD



CATALOG NUMBER		LENGTHS (IN)			ULTIMATE MECHANICAL STRENGTHS (LBS)		
POLYURETHANE COATED SERIES	SILICONE RUBBER COATED SERIES	L1	VERTICAL	LONGITUDINAL	TRANSVERSE		
G2HDA236AV1	G2HDA236AV1SC	36	2550	2000	2000		
G2HDA240AV1	G2HDA240AV1SC	40	2450	1975	2000		
G2HDA242AV1	G2HDA242AV1SC	42	2400	1950	2000		
G2HDA248AV1	G2HDA248AV1SC	48	2250	1900	2000		
G2HDA254AV1	G2HDA254AV1SC	54	2100	1850	2000		
G2HDA260AV1	G2HDA260AV1SC	60	1950	1800	2000		
G2HDA272AV1	G2HDA272AV1SC	72	1800	1750	2000		




END FITTING VIEW - P-6512-01

NOTES:

- 1.0 MATERIAL
- 1.1 BASE - DUCTILE IRON GRADE 654512
- 1.2 END FITTING - ALUMINUM A356-T6 (WAS IRON FITTING)
- 1.3 ROD - FIBERGLASS
- 2.0 FINISH
- 2.1 BASE - HOT DIP GALVANIZED PER ASTM-A-153
- 2.2 END FITTING - HOT DIP GALVANIZED PER ASTM-A-153
- 2.3 ROD - ULTRAVIOLET PROTECTIVE COATING, MUNSEL GRAY (OPTIONAL) - VULCANIZED SILICONE RUBBER, GRAY
- 3.0 DIMENSIONS IN INCHES

This information is confidential and is the property of Maclean Power Systems. It may not be made public or reproduced except that the Customer may make copies for use solely in installation, maintenance, and operation of products supplied by Maclean Power Systems.

 MACLEAN POWER SYSTEMS A Maclean-fogg Company	
G2HDA2-"L"-AV1 SERIES DOUBLE PHASE VERTICAL PIN BRACKET	
DATE: 10-06-20 DWG: BHB DR:	SCALE: 1:1 NO. CEB-4603 APR. 19

ENG. REF.