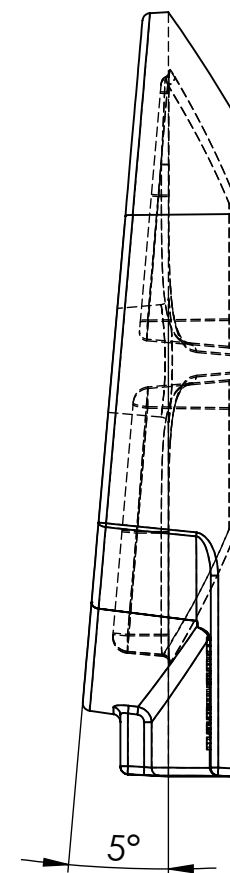
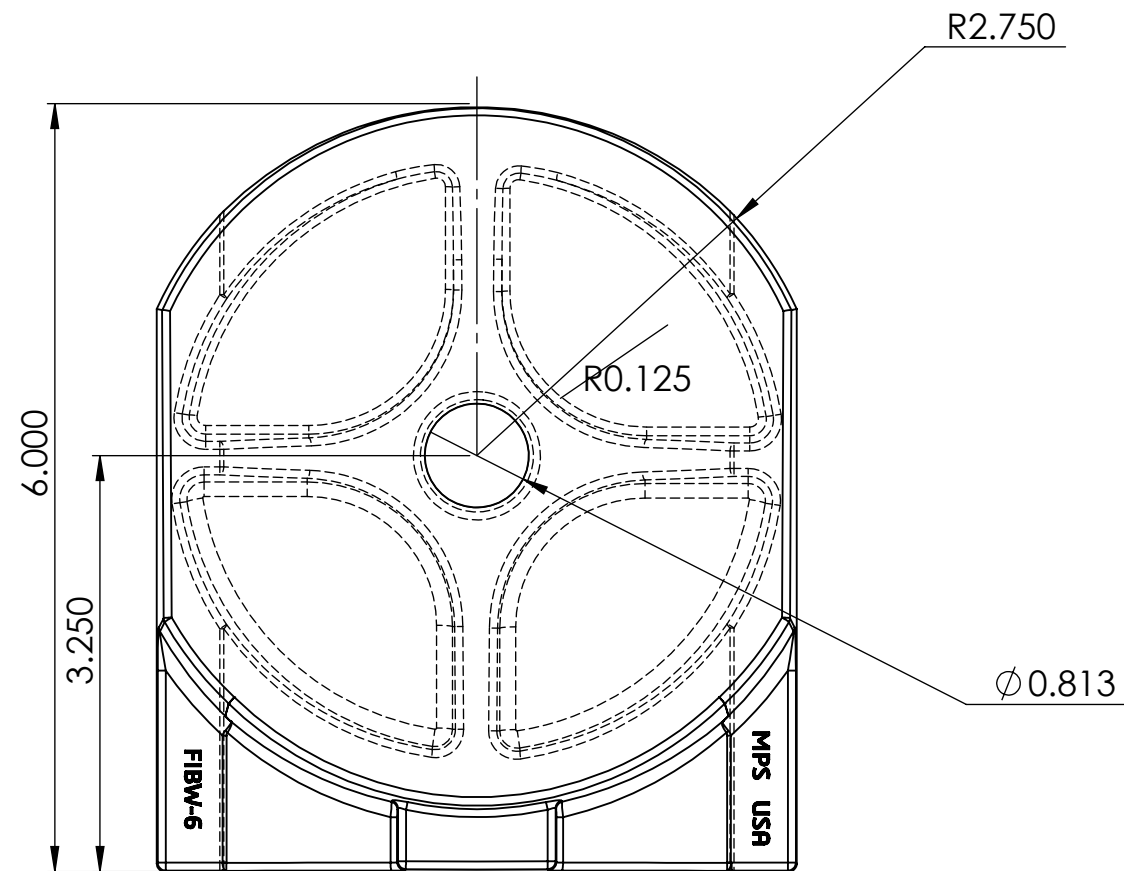
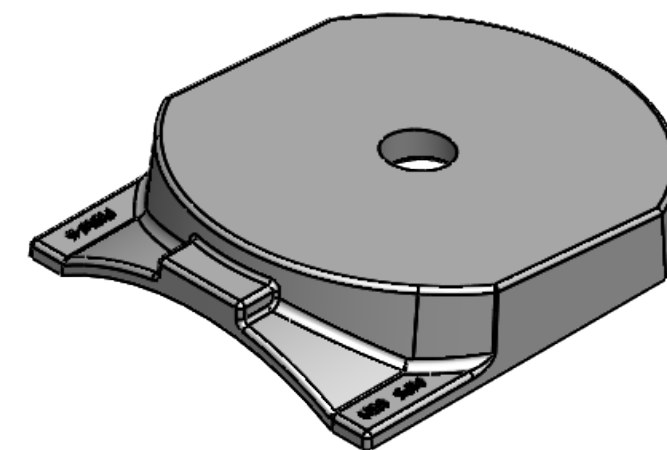
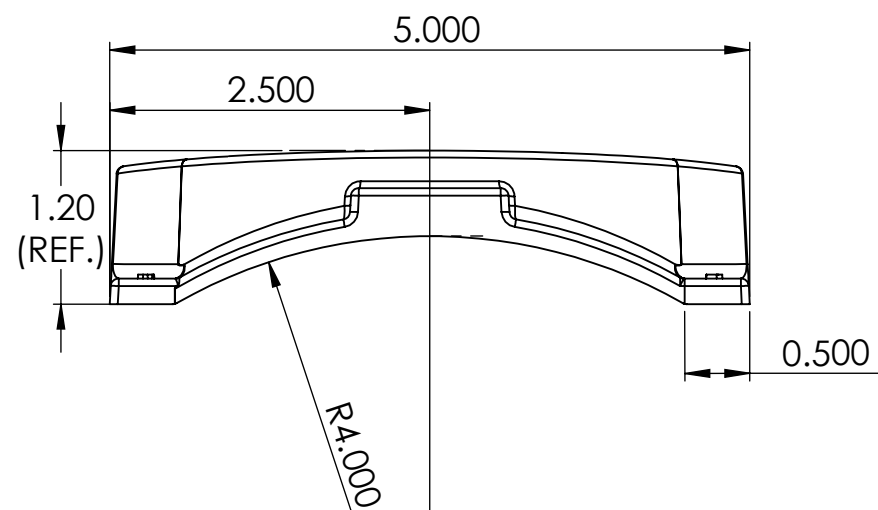


PAPER SIZE		DRAWING NUMBER	
B		CEB-4616	
REV	DATE	DESCRIPTION	REV BY



- NOTES:
1. MATERIAL - 604018 DUCTILE IRON
 2. FINISH - HOT DIP GALV PER ASTM A153.
 3. ALL DIMENSIONS IN INCHES
 4. WEIGHT - 2.55 LBS
 5. PART NO - FIBW-6



This drawing contains confidential information that is the property of MacLean Power, L.L.C. ("MacLean"). Use of MacLean's confidential information without MacLean's express written consent is strictly prohibited and may expose you to legal liability. If you believe that you received this material in error, please destroy it or return it to "MacLean Power, L.L.C., 11411 Addison Street, Franklin Park, Illinois 60131, USA."

UNLESS OTHERWISE SPECIFIED DIMENSIONS ARE IN:	
INCHES	
TOLERANCES ARE:	
.X	+/- 0.1
.XX	+/- 0.03
.XXX	+/- 0.015
ANGLES	+/- 1.0°



DRAWING NUMBER: CEB-4616		DO NOT SCALE DRAWING	
SHEET NAME: Sheet1		CAD GENERATED DRAWING DO NOT MANUALLY UPDATE	
1 OF 1		DESIGN DATE: 4/28/21	
DRAWING DESCRIPTION: IRON GAIN BASE CAT NO. FIBW-6		DRAWN BY:	MG
DRAWING SCALE: 1:1		ENGINEER:	
		APPROVED:	