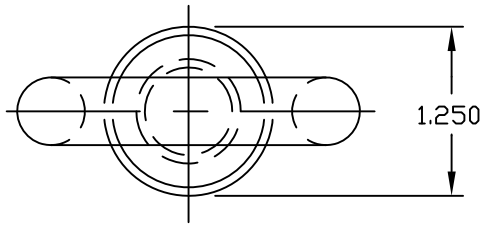


A | B | C | D | E | F

PAPER SIZE		DRAWING NUMBER	
B SIZE		GD-J109X	
REV	REVISION DATE	ECO	
A	06-11-19	09557	

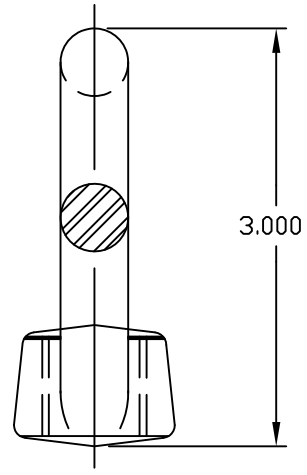
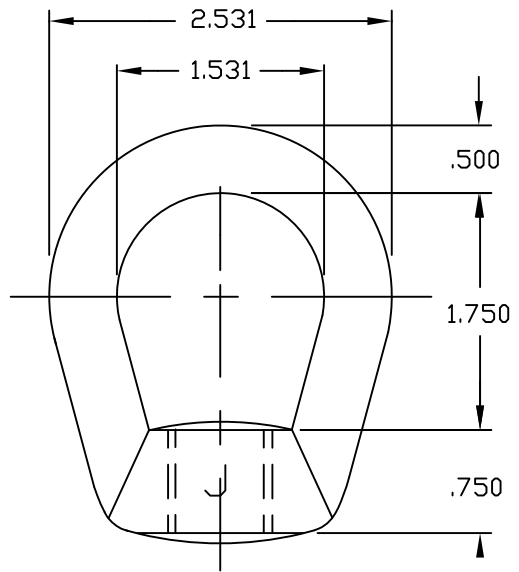


NOTES:

- 1) ALL DIMENSIONS ARE REFERENCE AND ARE IN INCHES
- 2) HOT DIP GALVANIZED (ASTM A-153)

MATERIAL:

HOT ROLLED CARBON STEEL (ASTM A-36)



CATALOG NO.	THREAD SIZE
J1091	1/2 - 13
J1092	5/8 - 11
J1093	3/4 - 10

1

2

3

4

This drawing contains confidential information that is the property of MacLean Power, L.L.C. ("MacLean"). Use of MacLean's confidential information without MacLean's express written consent is strictly prohibited and may expose you to legal liability. If you believe that you received this material in error, please destroy it or return it to "MacLean Power, L.L.C., 11411 Addison, Franklin Park, Illinois 60131, USA."

TOLERANCES UNLESS SPECIFIED	
	inch
0.XX	±.015
0.XXX	±.005
ANGLE	± 1°



DRAWN BY	ENGINEER	CHECKER	CATALOG #	SCALE	DESIGN DATE
MTT	RPM	MTT	J109X	NTS	1-7-94
DRAWING TITLE / DESCRIPTION					DRAWING NUMBER
NUT OVALEYE					GD-J109X