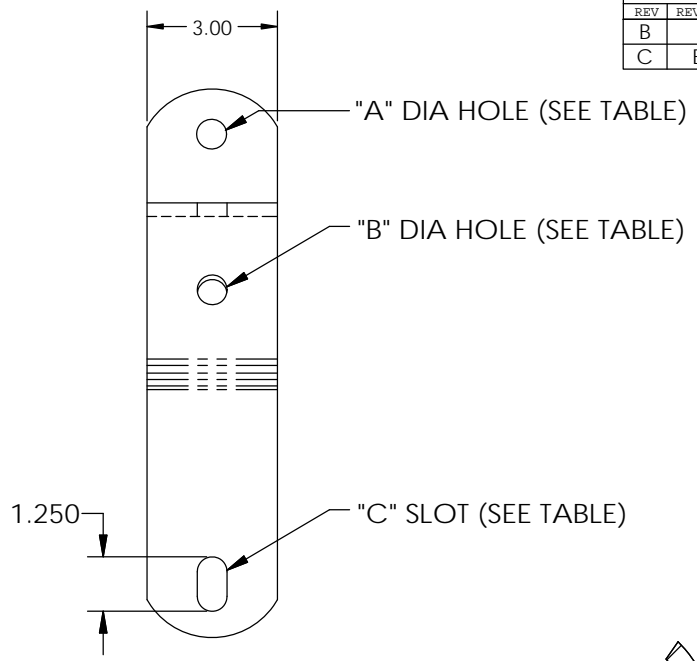
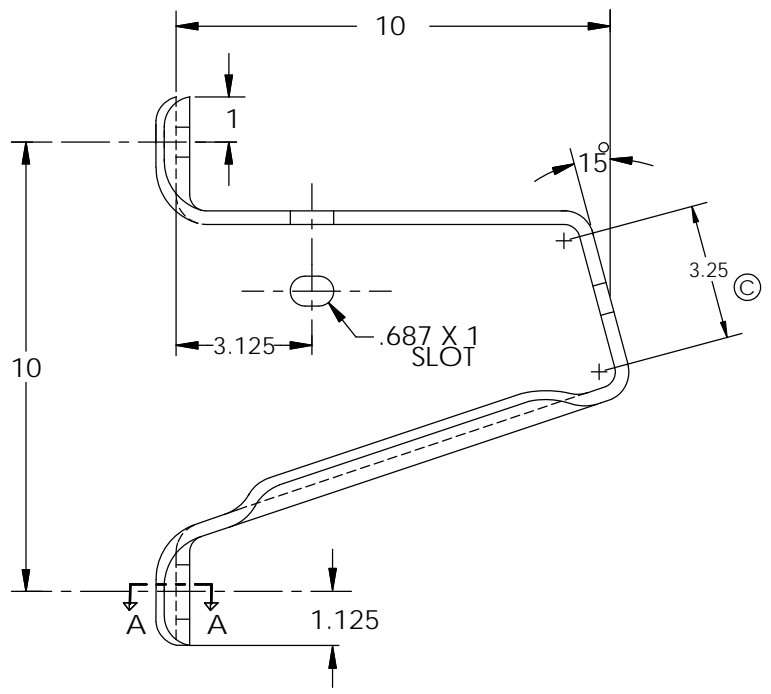
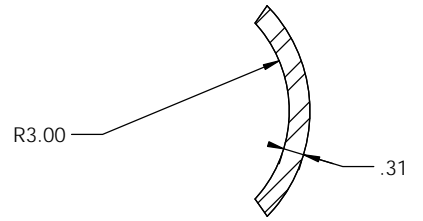


PAPER SIZE		CATALOG NUMBER	
<b>B</b>		GD-J25256	
REV	REVISED BY	REVISION DATE	ECO #
B	MB	1-31-17	D8491
C	BAB	09-15-20	D9436



CATALOG NO.	A	B	C
J25256.1	.687	.687	.687 X 1.25
J25256.2	.687	.812	.687 X 1.25

ⓑ



SECTION "A-A"

**FINISH:**  
HOT DIP GALVANIZED (ASTM A-153)

**NOTE:**  
ALL DIMENSIONS ARE IN INCHES, EXCEPTED AS NOTED

This drawing contains confidential information that is the property of MacLean Power, L.L.C. ("MacLean"). Use of MacLean's confidential information without MacLean's express written consent is strictly prohibited and may expose you to legal liability. If you believe that you received this material in error, please destroy it or return it to "MacLean Power, L.L.C., 481 Munn Rd, Suite 300, Fort Mill, SC 29715 USA."

**MACLEAN  
POWER  
SYSTEMS**

WWW.MACLEANPOWER.COM

DRAWING NUMBER: <b>GD-J25256</b>	
SHEET NAME: Sheet1	1 OF 1
DRAWING DESCRIPTION: LINE POST INSULATOR BRACKET	
DRAWN BY: SG	DESIGN DATE: