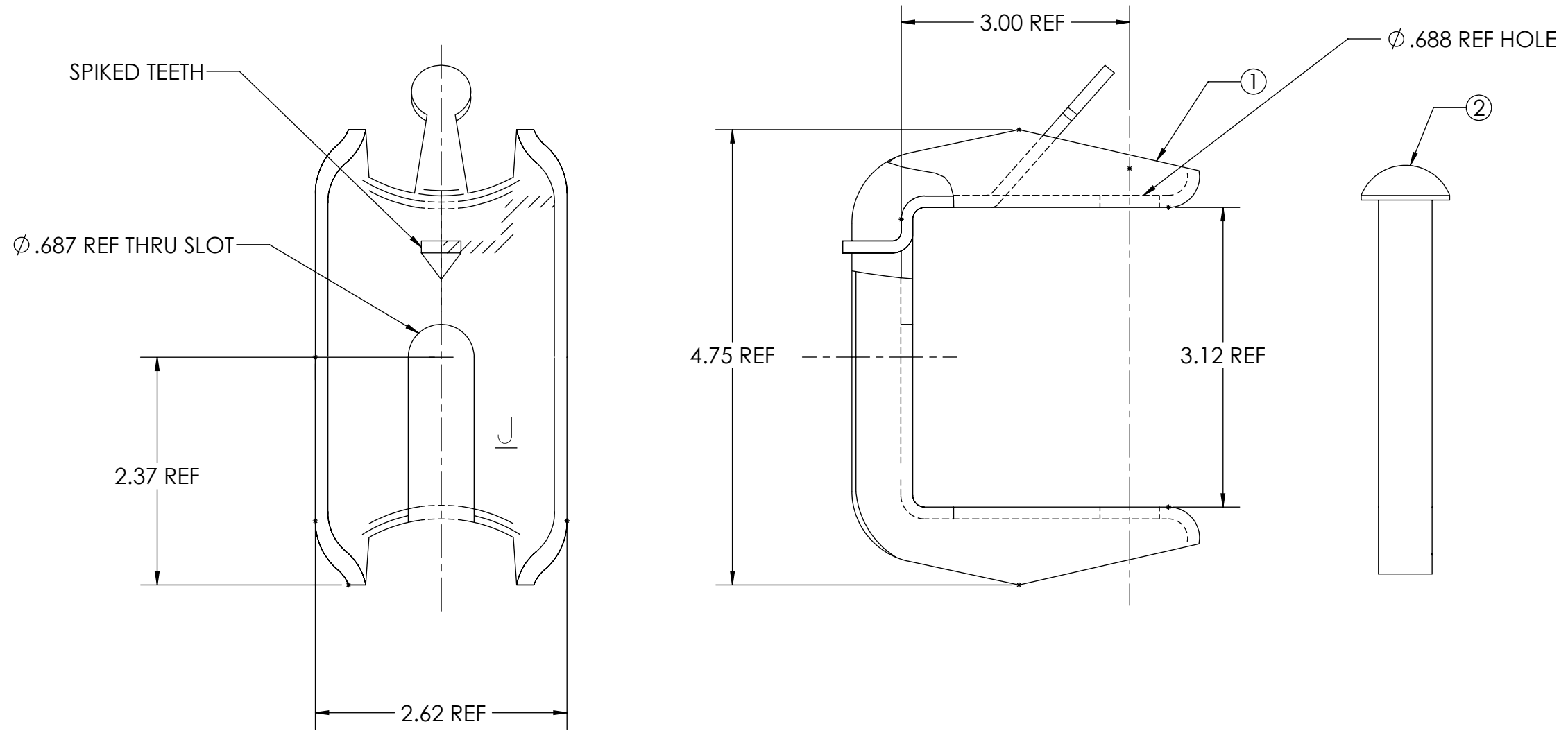


| | | | |
|------------|------------|----------------|--------|
| PAPER SIZE | | CATALOG NUMBER | |
| B | | J252 | |
| REV | REVISED BY | REVISION DATE | ECO # |
| A | - | 09-23-09 | 9718 |
| B | JAM | 12-01-21 | D10376 |

| ITEM | QTY | DESCRIPTION |
|------|-----|------------------------------|
| 1 | 1 | .12 X 2.75" CLEVIS BODY |
| 2 | 1 | .625 X 4.5" BUTTON HEAD BOLT |



NOTES:

1. ALL DIMENSIONS ARE REFERENCE AND IN INCHES
2. ALL ITEMS HOT DIP GALVANIZED PER ASTM A-153

This drawing contains confidential information that is the property of MacLean Power, L.L.C. ("MacLean"). Use of MacLean's confidential information without MacLean's express written consent is strictly prohibited and may expose you to legal liability. If you believe that you received this material in error, please destroy it or return it to "MacLean Power, L.L.C., 481 Munn Rd, Suite 300, Fort Mill, SC 29715 USA."



**MACLEAN
POWER
SYSTEMS**

WWW.MACLEANPOWER.COM

| | |
|----------------------|--------------|
| DRAWING NUMBER: | |
| GD-J252 | |
| SHEET NAME: | 2 OF 2 |
| Layout1 | |
| DRAWING DESCRIPTION: | |
| CLEVIS | |
| DRAWN BY: JAM | DESIGN DATE: |