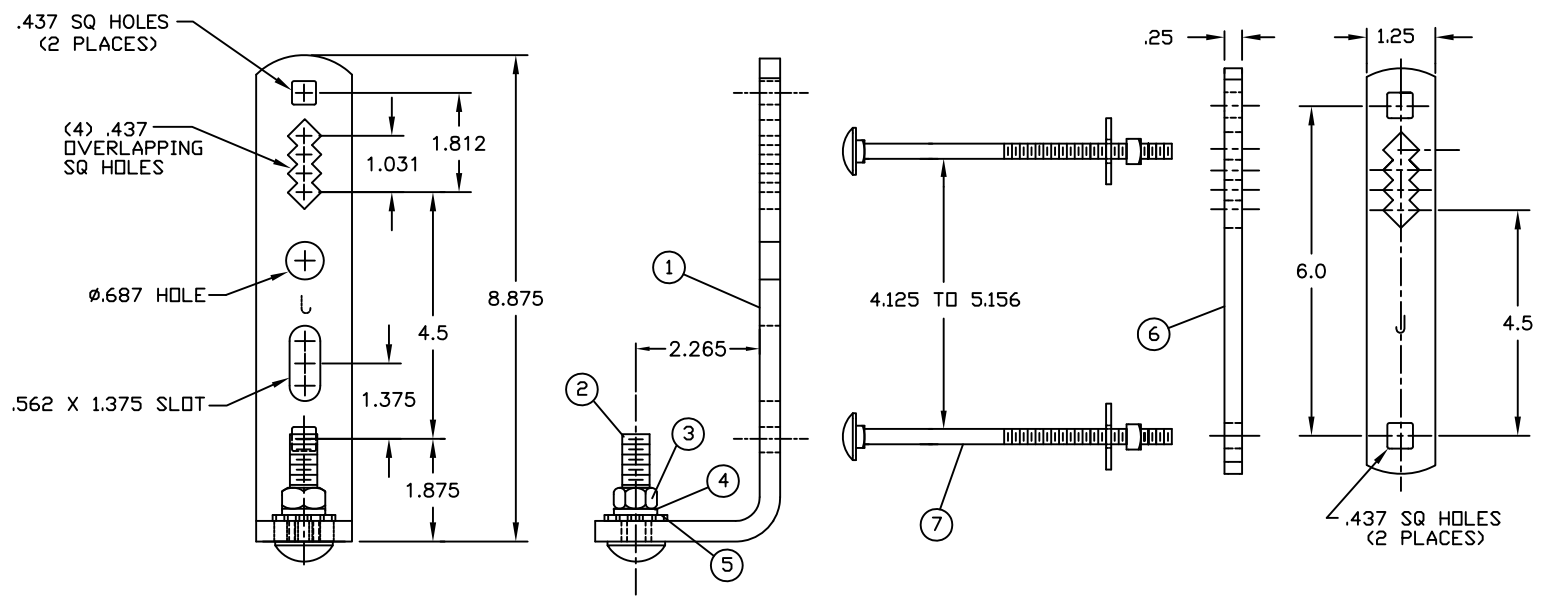


PAPER SIZE	DRAWING NUMBER	
B SIZE	GD-J26931	
REV	REVISION DATE	ECO
A	03-07-14	11210



ITEM	QTY	DESCRIPTION
1	1	.375 X 1.750 ANGLE STRAP
2	1	.500 X 2.000 CARRIAGE BOLT
3	1	.500 REGULAR HEX NUT
4	1	.500 SPRING LOCKWASHER
5	1	.500 EXTERNAL TOOTH LOCKWASHER
6	1	.250 X 1.250 BACK STRAP
7	2	.375 X 5.000 CARRIAGE BOLT ASSY

NOTES:

- 1) MATERIAL: ALL ITEMS HOT ROLLED CARBON STEEL.
- 2) ALL DIMENSIONS ARE REFERENCE AND ARE IN INCHES.
- 3) THE STRAP AND CARRIAGE BOLT ASSEMBLIES ARE TO BE SECURED TO THE ANGLE STRAP.
- 4) FINISH: ALL ITEMS GALVANIZED.

This drawing contains confidential information that is the property of MacLean Power, L.L.C. ("MacLean"). Use of MacLean's confidential information without MacLean's express written consent is strictly prohibited and may expose you to legal liability. If you believe that you received this material in error, please destroy it or return it to "MacLean Power, L.L.C., 11411 Addison, Franklin Park, Illinois 60131, USA."

DRAWING-COMPUTER LOCATION

TOLERANCES UNLESS SPECIFIED	
INCH	
0.XX	— — —
0.XXX	— — —
ANGLE	— — —



DRAWN BY	ENGINEER	CHECKER	CATALOG #	SCALE	DESIGN DATE
RHJ	MG		J26931	NTS	03-07-14
DRAWING TITLE / DESCRIPTION					DRAWING NUMBER
CROSSARM MOUNTING BRACKET ASSEMBLY					GD-J26931