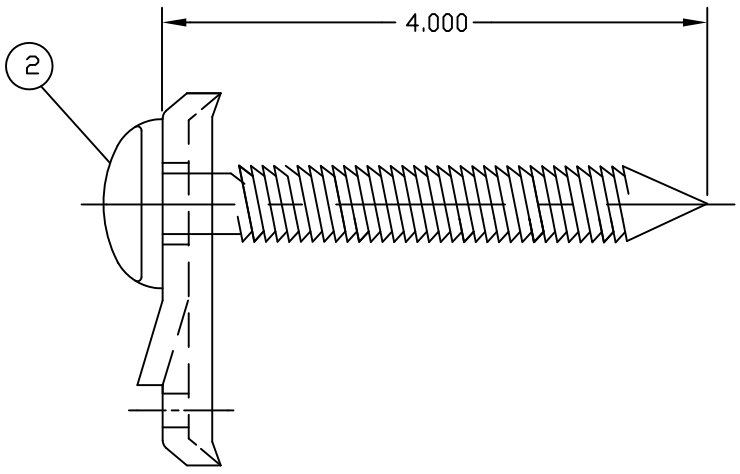
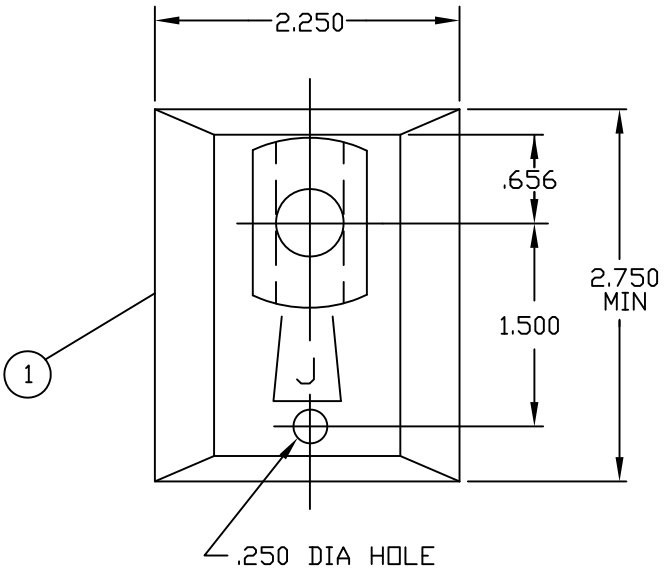


A | B | C | D | E | F



PAPER SIZE	DRAWING NUMBER	
B SIZE	GD-J6235	
REV	REVISION DATE	ECO
A	8-30-17	D8756

ITEM	QTY	DESCRIPTION
1	1	7 GA X 2.250 POLE STEP PLATE
2	1	FETTER DRIVE LAG SCREW

NOTES:

- 1) ALL DIMENSIONS ARE REFERENCE AND ARE IN INCHES
- 2) HOT DIP GALVANIZED PER ASTM A-153.

PART NO. F102554

This drawing contains confidential information that is the property of MacLean Power, L.L.C. ("MacLean"). Use of MacLean's confidential information without MacLean's express written consent is strictly prohibited and may expose you to legal liability. If you believe that you received this material in error, please destroy it or return it to "MacLean Power, L.L.C., 11411 Addison, Franklin Park, Illinois 60131, USA."

DRAWING-COMPUTER LOCATION:
DRAWING-COMPUTER LOCATION:

TOLERANCES UNLESS SPECIFIED	
inch	
0.XX	— — —
0.XXX	— — —
ANGLE	— — —



DRAWN BY	ENGINEER	CHECKER	CATALOG #	SCALE	DESIGN DATE
RRL	RRL	FJS	J6235	NTS	3-17-93
DRAWING TITLE / DESCRIPTION					DRAWING NUMBER
POLE PLATE ASS'Y					GD-J6235