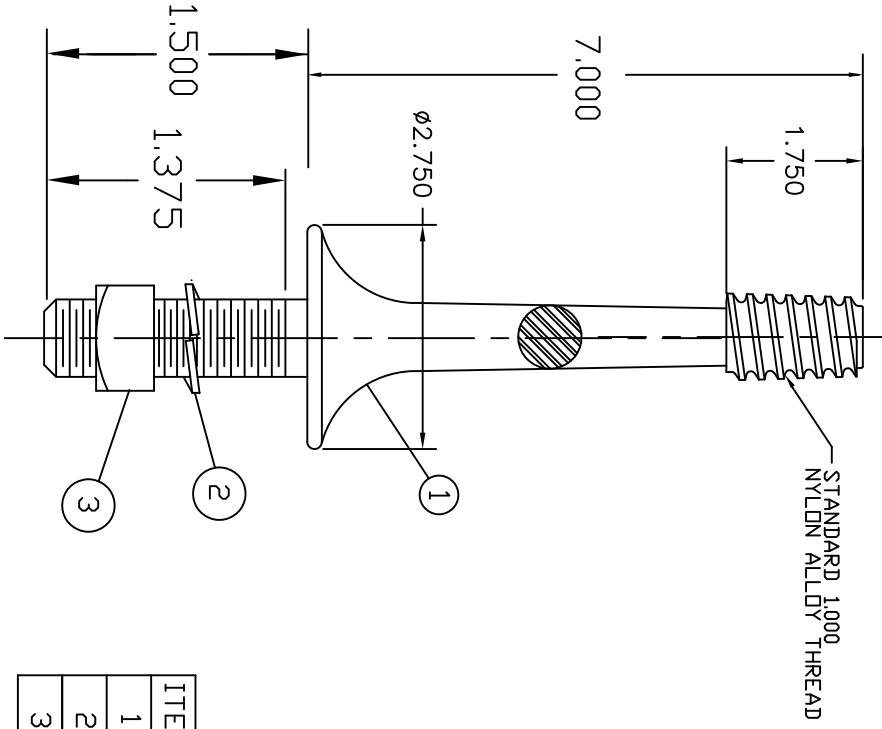


A | B | C | D | E | F

PAPER SIZE	DRAWING NUMBER
B SIZE	GD-J629Z
REV	ECO
A	09-16-21
	D10298

MATERIAL:
 THREAD: NYLON ALLOY
 PIN: STEEL HOT DIP GALVANIZED PER ASTM A-153
 NOTES:
 1. ALL DIMENSIONS ARE REFERENCE AND IN INCHES EXCEPT AS NOTED.



ITEM	QTY	DESCRIPTION
1	1	STEEL PIN BODY
2	1	.750 REGULAR SQUARE NUT
3	1	.750 SPRING LOCKWASHER

This drawing contains confidential information that is the property of Maclean Power, L.L.C. ("Maclean"). Use of Maclean's confidential information without Maclean's express written consent is strictly prohibited and may expose you to legal liability. If you believe that you received this material in error, please destroy it or return it to "Maclean Power, L.L.C., 11411 Addison, Franklin Park, Illinois 60131, USA."

DRAWING-COMPUTER LOCATION

TOLERANCES UNLESS SPECIFIED
INCH
0.XX
0.XXX
ANGLE

MACLEAN POWER SYSTEMS
 1488 INDUSTRIAL PARK DR.
 HEMETON, IN 46022

DRAWN BY	ENGINEER	CHECKER	CATALOG #	SCALE	DESIGN DATE
BAB	BAB	MG	J629Z	NTS	09-16-21
DRAWING TITLE / DESCRIPTION					DRAWING NUMBER
PIN X ARM W/NA THD					GD-J629Z