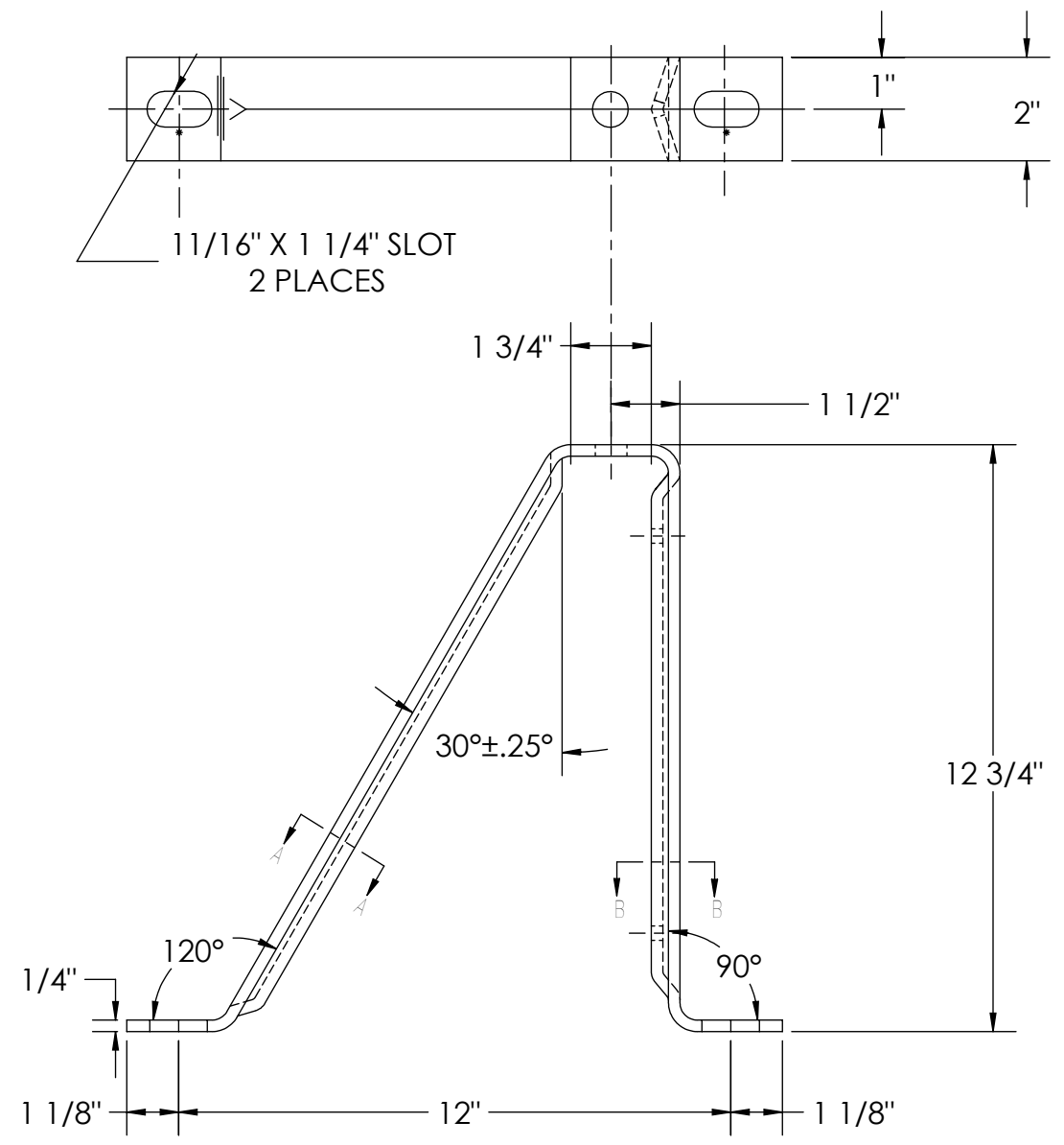
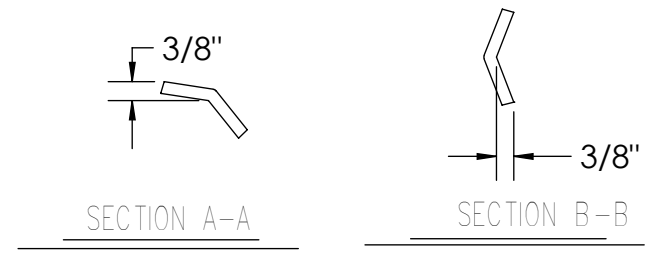


PAPER SIZE		CATALOG NUMBER	
B		GD-U35613	
REV	REVISED BY	REVISION DATE	ECO #
A	JAM	06-17-2015	11843



- NOTES:
1. MATERIAL: A-36 STEEL
 2. FINISH: HOT DIP GALVANIZE PER ASTM A-153 SPEC'S
 3. WEIGHT: 4.77 LBS
 4. PACKAGE 100 PCS PER STANDARD PACK

This drawing contains confidential information that is the property of MacLean Power, L.L.C. ("MacLean"). Use of MacLean's confidential information without MacLean's express written consent is strictly prohibited and may expose you to legal liability. If you believe that you received this material in error, please destroy it or return it to "MacLean Power, L.L.C., 481 Munn Rd, Suite 300, Fort Mill, SC 29715 USA."

**MACLEAN
POWER
SYSTEMS**

WWW.MACLEANPOWER.COM

DRAWING NUMBER:	
GD-U35613	
SHEET NAME:	1 OF 1
Model	
DRAWING DESCRIPTION:	
EXTENSION BRACKET	
DRAWN BY:	DESIGN DATE: