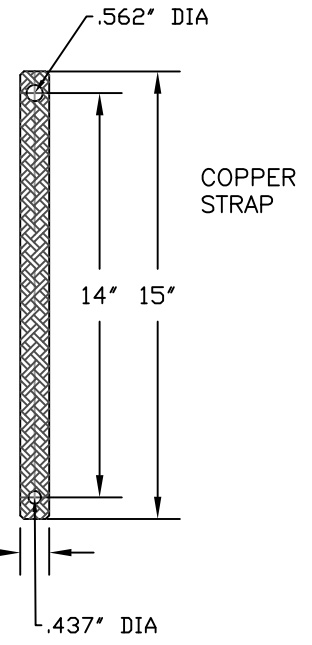
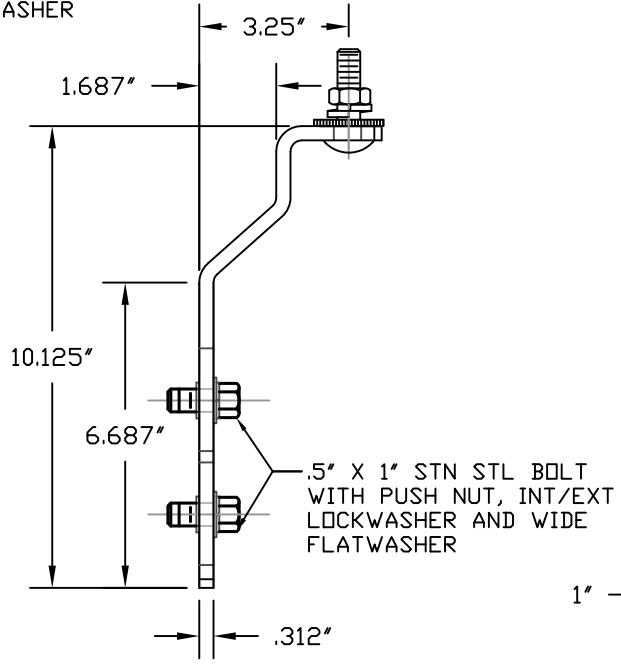
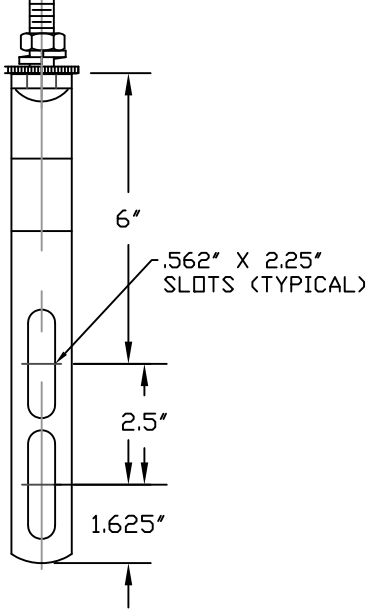


A

B

PAPER SIZE	DRAWING NUMBER	
A SIZE	GD-U35935D14H	
REV	REVISION DATE	ECO
A	06-25-19	D9557

.5" X 2" CAPTIVE CARR. BOLT WITH NUT, INT/EXT LOCKWASHER AND SPLIT LOCKWASHER



QUANTITY	DESCRIPTION
1	GALVANIZED BRACKET
1	1/2" HEX NUT
1	1/2" SPLIT LOCK WASHER
1	1/2" X 2" CARRIAGE BOLT
3	1/2" INT./EXT. LOCK WASHER
2	1/2" PUSH NUT
2	1/2" X 1" STN STL HEX BOLT
2	1/2" USS WIDE FLAT WASHER
1	1" WIDE X 22 GA. COPPER STRAP, 15" LG

- NOTES:  
 1. MATERIAL: STEEL A-36.  
 2. FINISH: HOT DIP GALVANIZE PER ASTM A-153.  
 3. WEIGHT: 2.5#

USE OR REPRODUCTION OF THIS DRAWING FOR THE PURPOSE OF MANUFACTURING THIS ARTICLE OR ARTICLES SHOWN OR ANY OTHER PURPOSE IS STRICTLY PROHIBITED EXCEPT ON WRITTEN PERMISSION.  
**MACLEAN POWER SYSTEMS**

CATALOG # U35935D14H

TOLERANCES UNLESS SPECIFIED	
INCH	
0.XX	1 / 16"
0.XXX	1 / 32"
ANGLE	1 DEGREE



DRAWN BY	ENGINEER	CHECKER	CATALOG #	SCALE	DESIGN DATE
MT	MT	MT	CHECK TABLE	NONE	6/12/98
DRAWING TITLE / DESCRIPTION					DRAWING NUMBER
ARRESTER MOUNTING BRACKET					GD-U35935D14H

Form: 00\_Asize / 01-05-98