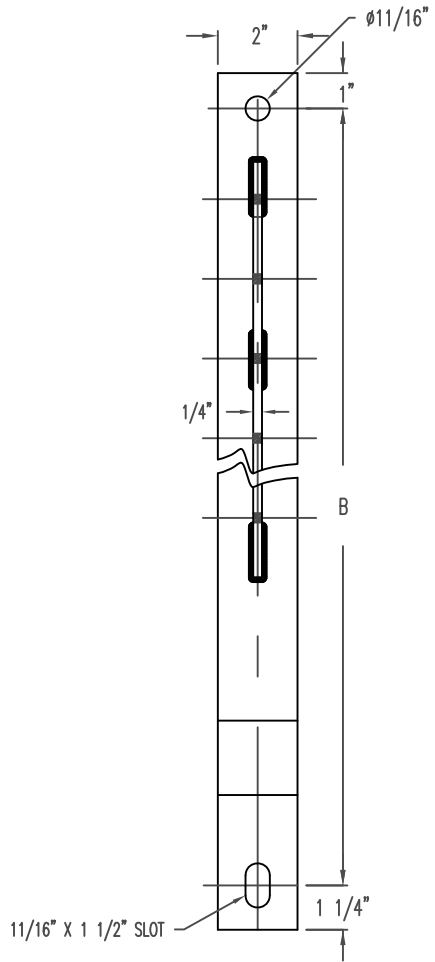
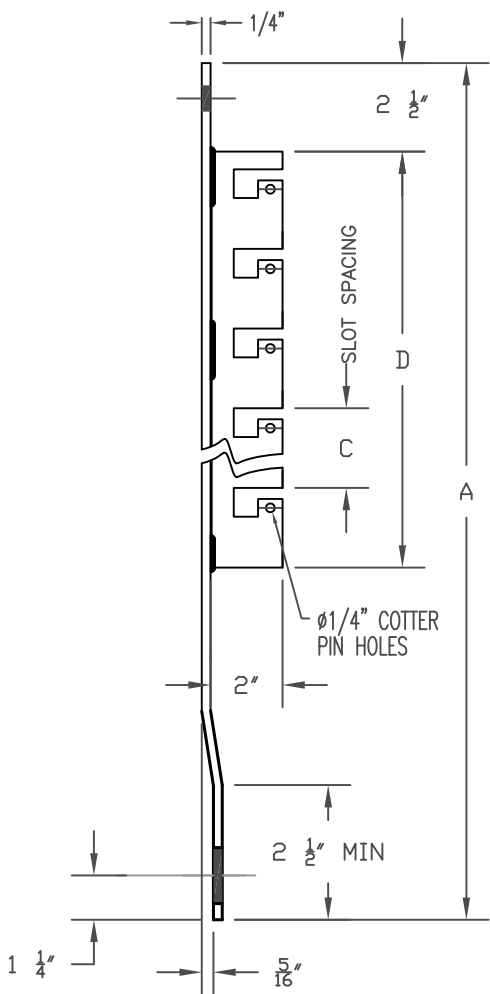


A

B

PAPER SIZE	DRAWING NUMBER	
A SIZE	GD-U600-2975WD	
REV	REVISION DATE	ECO
A	06-25-19	D9557



NOTES:

1. MATERIAL: STEEL A-36.
2. FINISH: HOT DIP GALVANIZE PER ASTM A-153.
3. USE WITH U6700 SERIES CABLE RACK HOOKS.

CATALOG NO.	SLOTS	A	B	C	D	WEIGHT (LBS)
U600-2975WD	10	29 3/4"	27 1/2"	2 1/4"	23"	8.4

USE OR REPRODUCTION OF THIS DRAWING FOR THE PURPOSE OF MANUFACTURING THIS ARTICLE OR ARTICLES SHOWN OR ANY OTHER PURPOSE IS STRICTLY PROHIBITED EXCEPT ON WRITTEN PERMISSION.
MACLEAN POWER SYSTEMS

TOLERANCES UNLESS SPECIFIED	
INCH	
0.XX	1 / 16"
0.XXX	1 / 32"
ANGLE	1 DEGREE



MACLEAN POWER SYSTEMS
 RELIABLE POWER PRODUCTS
 11411 ADDISON STREET
 FRANKLIN PARK, IL. 60131

DRAWN BY	ENGINEER	CHECKER	CATALOG #	SCALE	DESIGN DATE
MT	MT	MT	CHECK TABLE	NONE	6/12/98
DRAWING TITLE / DESCRIPTION					DRAWING NUMBER
UNDERGROUND CABLE STATION - OFFSET BACK					GD-U600-2975WD