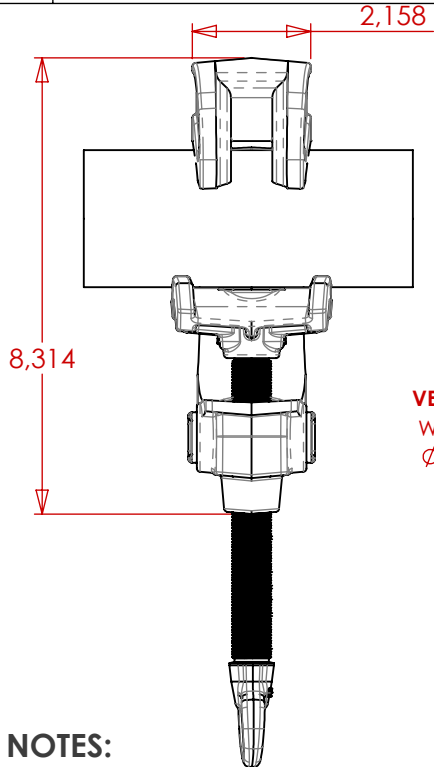
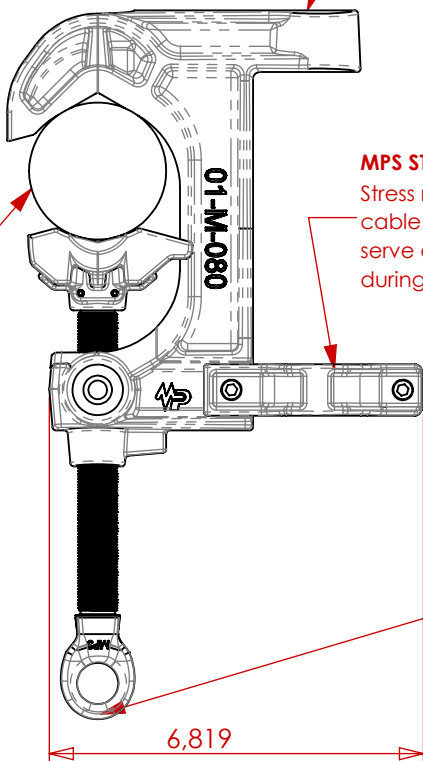


ITEM	DESCRIPTION	MATERIAL	QTY
1	KEEPER - 01-M-080, UNIVERSAL CLAMP	ALUNINIUM 356.0-T6	1
2	UNIVERAL GROUNDING CLAMP 0.16" @ 3.00"	ALUNINIUM 356.0-T6	1
3	YELLOW PLASTIC CAPPLUGS Ø0,615"	PLASTIC	2
4	DRILLED STRAIN RELIEF CAP.	ALUMINIUM A356-T6	1
5	THREADED STRAIN RELIEF CAP.	ALUMINIUM A356-T6	1
6	SOCKET HEAD CAP SCREW, 1/4-20, 3/4 LENGTH	STAINLESS STEEL 18-8 304 GRADE	1
7	SOCKET HEAD CAP SCREW, 1/4-20, 1 1/4 LENGTH	STAINLESS STEEL 18-8 304 GRADE	1
8	SPRING PIN OD 1/8" X 1-1/4" LONG	18-8 STAINLESS STEEL	2
9	SPRING BLADE	STAINLESS STEEL 301	2
10	EYESCREW	ALUNINIUM 7075-T6 (SN)	1

REV.	DATE	DESCRIPTION	REQ.	PAR/BY



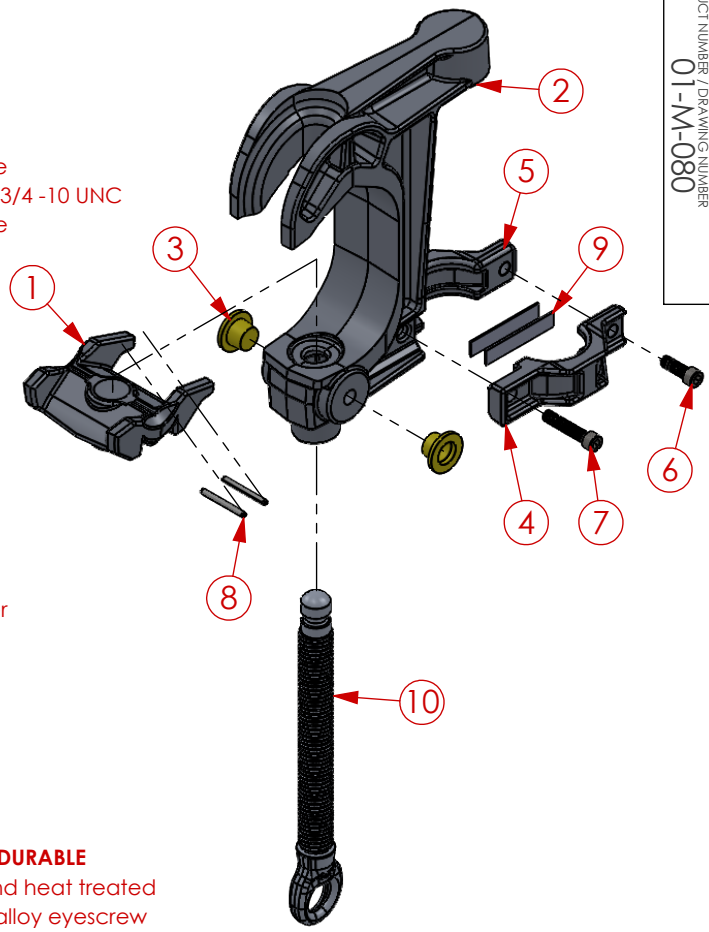
VERSATILE
Wide main line range:
Ø 0.16" up to Ø 2.50"



MPS STRAIN RELIEF
Stress relief to reduce
cable damage and
serve as a shock damper
during fault

LIGHT AND DURABLE
* Forged and heat treated
aluminium alloy eyescrew
* 3/4 - 10 UNC Double Lead threads.

STANDARD
Fitted to receive
5/8 -11 UNC or 3/4 -10 UNC
threaded ferrule



NOTES:

1. Material: Aluminium A356-T6
2. Approx. weight: 2.50lbs
3. Graded 5H as per ASTM F855-14
4. Installation eye for clamp installation with shotgun stick
5. T-Handle option compatible HC-10026

UNLESS OTHERWISE SPECIFIED, ALL DIMENSIONS ARE IN INCHES	
TOLERANCES ARE:	
.X	± 0.031
.XX	± 0.010
.XXX	± 0.005
ANGLES	+/- 1°



225 Ford, Châteauguay (Qué.) Canada J6J 4Z2
Tel. (450) 698-0520 Fax: (450) 692-5670

DESCRIPTION
UNIVERSAL GROUNDING CLAMP FOR 25 & 30mm
BALLSTUDS

DRAWN ON	2019-07-03
PROJECT NUMBER	345
PART NUMBER	-

SCALE	PAGE	PRODUCT NUMBER / DRAWING NUMBER
2:5	1 of 1	01-M-080