



MacLean Power Systems  
 7801 Park Place Rd., York, SC 29745  
 USA (803) 628-2100

MPS Catalog Number

**H0 40 20 006 MX SS 003**

Revision: B

Date 3/3/2021

**End Fittings**

Tower End Fitting: 3/4"-10 Round Base (Galv. Duct. Iron)

Line End Fitting: Trunnion (Aluminum)

**Material**

Number of Sheds: 3  
 Rod Diameter: 1-1/2"  
 Weight Estimate: 7.0 lbs 3.2 kg

**Dimensional Values**

Section Length (L): 14.0 in 356 mm  
 Rubber Length (X): 5.9 in 151 mm  
 Shed Height (P): 2.3 in 58 mm  
 Shed Diameter (B): 6.5 in 165 mm  
 Shed Spacing (S): 2.0 in 51 mm  
 Dry Arc Distance: 8.2 in 209 mm  
 Leakage Distance: 18.3 in 465 mm

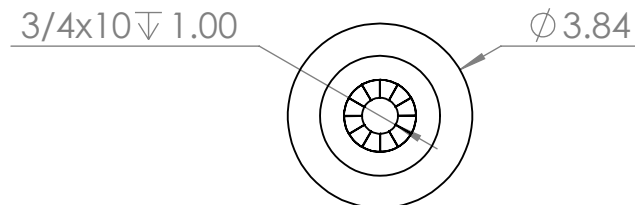
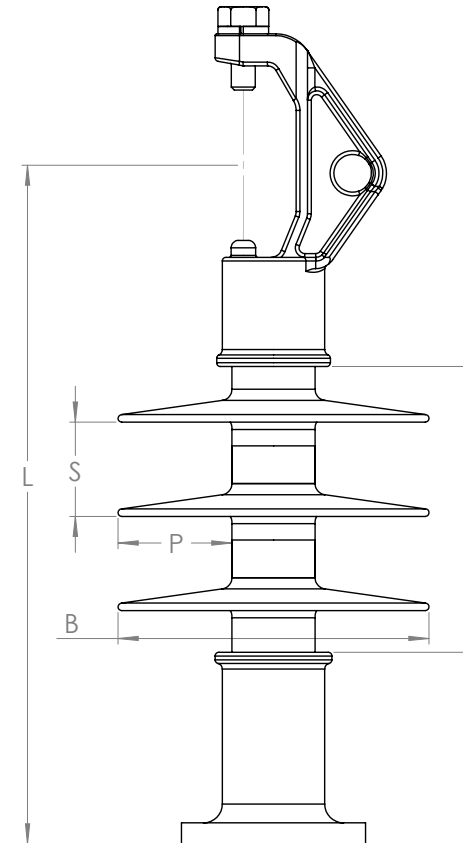
**Electricals Values**

60 Hz dry Flashover:	112 kV	Min. Withstand	91 kV
60 Hz Wet Flashover:	84 kV	Min. Withstand	55 kV
Positive CIFO:	170 kV	Min. Withstand	138 kV
Negative CIFO:	209 kV	Min. Withstand	169 kV

**Mechanical Values**

Max. Design Cant. Load (MDCL):	1,350 lbs	6.0 kN
Specified Cant. Load (SCL):	2,800 lbs	12.5 kN
Specified Tensile Load (STL):	5,000 lbs	22.2 kN

This drawing contains confidential information that is the property of MacLean Power, L.L.C. ("MacLean"). Use of MacLean's confidential information without MacLean's express written consent is strictly prohibited and may expose you to legal liability. If you believe that you received this material in error, please destroy it or return it to "MacLean Power, L.L.C., 7801 Park Place Rd., York, South Carolina 29745, USA."



Dimension: inches [millimeters]

Insulator assembly complies with ANSI C.29.18 and CSA C411.6 Standards

NOTE: Drawing not actual depiction of insulator appearance