

MPS Catalog Number:

Date:

H1 90 10 022 CX SS 012

05/20/2021

End Fittings

Tower End Fitting:

Gain / 12 deg / Steel

Line End Fitting:

Anchor / Ductile Iron
2 HL Drop Tongue / Ductile Iron

Material

Corona Ring (Tower):

None

Corona Ring (Line):

None

Corona Rings are recommended for applications of 230 kV and above

Mounting Angle:

12 deg

Number of Sheds:

12

Rod Diameter:

2 in

Weight Estimate:

48 lbs

22 kg

Dimensional Values

Section Length (L):

31.9 in 810 mm

Rubber Length (X):

22 in 559 mm

Shed spacing (S):

1.6 in 41 mm

Shed Projection (P):

2.7 in 68 mm

Dry Arc Distance:

25 in 635 mm

Leakage Distance:

82.7 in 2,101 mm

Electricals Values

60 Hz dry Flashover (Min. Withstand):

249 kV 234 kV

60 Hz Wet Flashover (Min. Withstand):

227 kV 175 kV

CIFO Positive (Min. Withstand):

424 kV 379 kV

CIFO Negative (Min. Withstand):

517 kV 413 kV

Mechanical Values

Max. Design Cant. Load (MDCL):

1,497 lbs 6.7 kN

Specified Cant. Load (SCL):

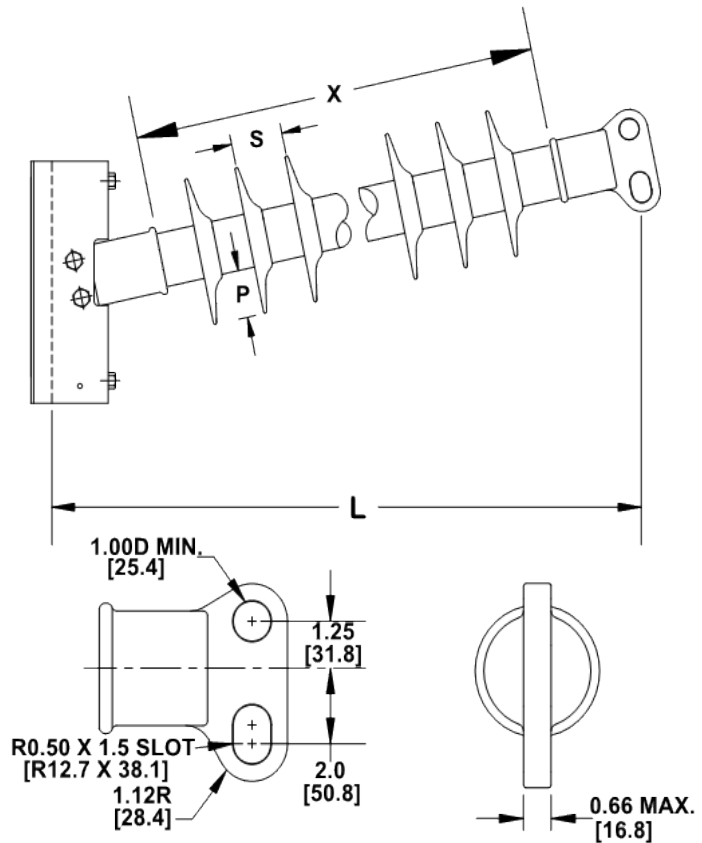
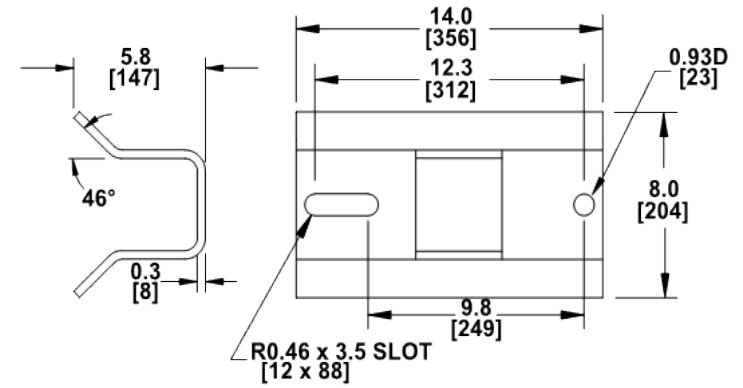
2,994 lbs 13.3 kN

Specified Tensile Load (STL):

7,000 lbs 31.1 kN

This drawing contains confidential information that is the property of MacLean Power, L.L.C. ("MacLean"). Use of MacLean's confidential information without MacLean's express written consent is strictly prohibited and may expose you to legal liability. If you believe that you received this material in error, please destroy it or return it to "MacLean Power, L.L.C., 7801 Park Place Rd., York, South Carolina 29745, USA."

Notes:



Dimension: inches [millimeters]

NOTE: Drawing not actual depiction of insulator appearance.

Silicone rubber sheath and sheds complies with applicable ANSI and IEC standards.

Prepared By: Laurel Wallace