

MPS Catalog Number:

Date:

**H1 90 10 026 BX SS 012**

05/20/2021

**End Fittings**

Tower End Fitting:

Gain / 12 deg / Steel

Line End Fitting:

Anchor / Ductile Iron  
2 HL Drop Tongue / Ductile Iron

**Material**

Corona Ring (Tower):

None

Corona Ring (Line):

None

Corona Rings are recommended for applications of 230 kV and above

Mounting Angle:

12 deg

Number of Sheds:

12

Rod Diameter:

2 in

Weight Estimate:

49.2 lbs

22 kg

**Dimensional Values**

Section Length (L):

35.8 in      909 mm

Rubber Length (X):

26 in      660 mm

Shed spacing (S):

2 in      51 mm

Shed Projection (P):

2.7 in      68 mm

Dry Arc Distance:

29 in      737 mm

Leakage Distance:

86.7 in      2,202 mm

**Electricals Values**

60 Hz dry Flashover (Min. Withstand):

285 kV      268 kV

60 Hz Wet Flashover (Min. Withstand):

262 kV      203 kV

CIFO Positive (Min. Withstand):

487 kV      436 kV

CIFO Negative (Min. Withstand):

582 kV      471 kV

**Mechanical Values**

Max. Design Cant. Load (MDCL):

1,294 lbs      5.8 kN

Specified Cant. Load (SCL):

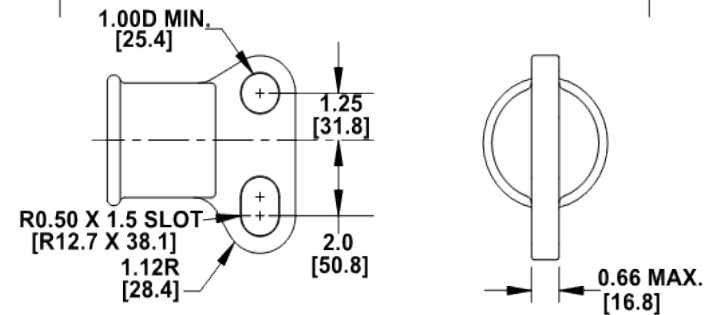
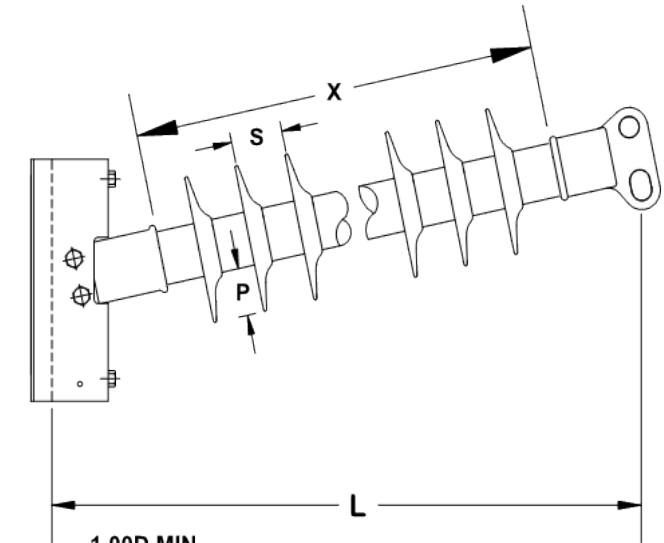
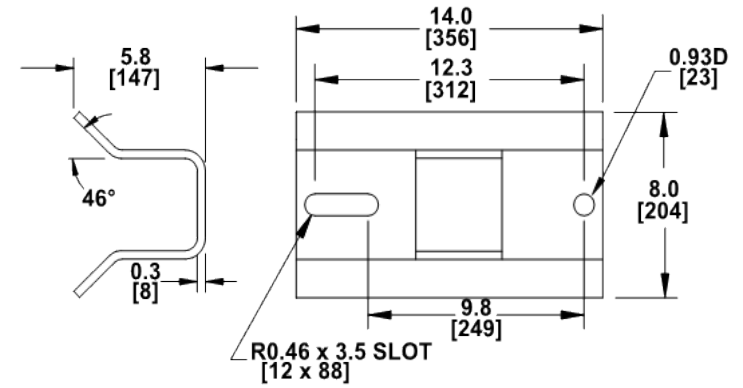
2,588 lbs      11.5 kN

Specified Tensile Load (STL):

7,000 lbs      31.1 kN

This drawing contains confidential information that is the property of MacLean Power, L.L.C. ("MacLean"). Use of MacLean's confidential information without MacLean's express written consent is strictly prohibited and may expose you to legal liability. If you believe that you received this material in error, please destroy it or return it to "MacLean Power, L.L.C., 7801 Park Place Rd., York, South Carolina 29745, USA."

Notes:



Dimension: inches [millimeters]

NOTE: Drawing not actual depiction of insulator appearance.

Silicone rubber sheath and sheds complies with applicable ANSI and IEC standards.

Prepared By: Laurel Wallace