

MPS Catalog Number:

Date:

H2 90 10 028 BX SS 013

05/20/2021

End Fittings

Tower End Fitting:

Gain / 12 deg / Steel

Line End Fitting:

Anchor / Ductile Iron
2 HL Drop Tongue / Galv. Ductile Iron

Material

Corona Ring (Tower):

None

Corona Ring (Line):

None

Corona Rings are recommended for applications of 230 kV and above

Mounting Angle:

12 deg

Number of Sheds:

13

Rod Diameter:

2.5 in

Weight Estimate:

59.1 lbs

27 kg

Dimensional Values

Section Length (L):

38.6 in 980 mm

Rubber Length (X):

28 in 711 mm

Shed spacing (S):

2 in 51 mm

Shed Projection (P):

2.4 in 61 mm

Dry Arc Distance:

30.9 in 785 mm

Leakage Distance:

86.5 in 2,197 mm

Electricals Values

60 Hz dry Flashover (Min. Withstand):

303 kV 284 kV

60 Hz Wet Flashover (Min. Withstand):

279 kV 216 kV

CIFO Positive (Min. Withstand):

517 kV 463 kV

CIFO Negative (Min. Withstand):

611 kV 498 kV

Mechanical Values

Max. Design Cant. Load (MDCL):

2,506 lbs 11.1 kN

Specified Cant. Load (SCL):

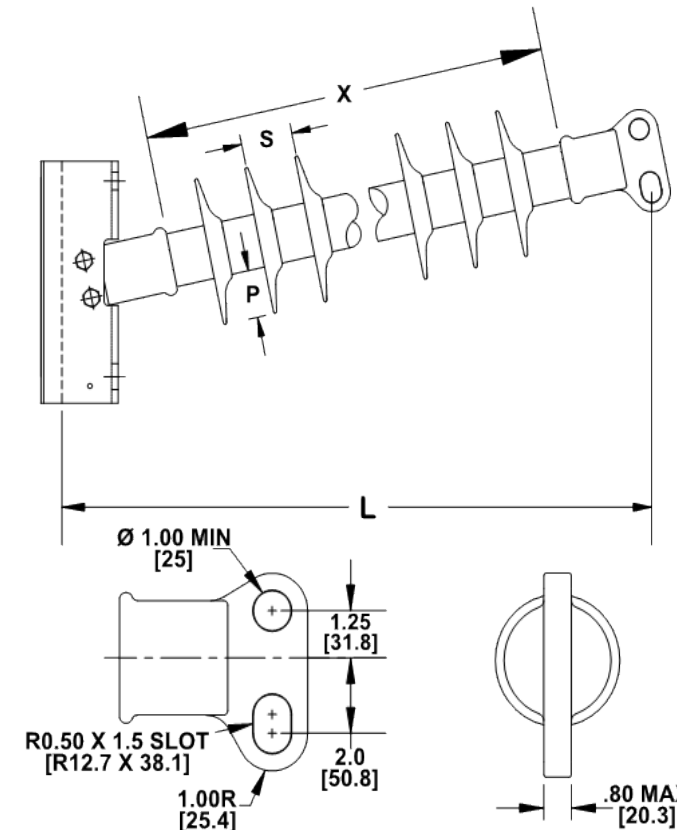
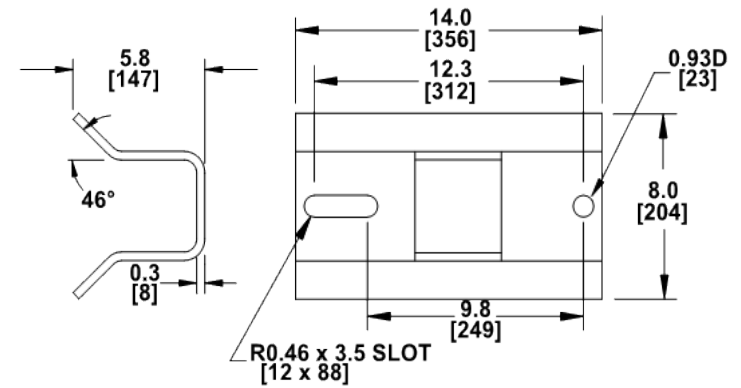
5,012 lbs 22.3 kN

Specified Tensile Load (STL):

15,000 lbs 66.7 kN

This drawing contains confidential information that is the property of MacLean Power, L.L.C. ("MacLean"). Use of MacLean's confidential information without MacLean's express written consent is strictly prohibited and may expose you to legal liability. If you believe that you received this material in error, please destroy it or return it to "MacLean Power, L.L.C., 7801 Park Place Rd., York, South Carolina 29745, USA."

Notes:



Dimension: inches [millimeters]

NOTE: Drawing not actual depiction of insulator appearance.

Silicone rubber sheath and sheds complies with applicable ANSI and IEC standards.

Prepared By: Laurel Wallace