

MPS Catalog Number:

Date:

**H2 90 10 034 AX SS 013**

05/20/2021

**End Fittings**

Tower End Fitting:

Gain / 12 deg / Steel

Line End Fitting:

Anchor / Ductile Iron  
2 HL Drop Tongue / Galv. Ductile Iron

**Material**

Corona Ring (Tower):

None

Corona Ring (Line):

None

Corona Rings are recommended for applications of 230 kV and above

Mounting Angle:

12 deg

Number of Sheds:

13

Rod Diameter:

2.5 in

Weight Estimate:

61.9 lbs

28 kg

**Dimensional Values**

Section Length (L):

44.5 in      1,130 mm

Rubber Length (X):

34 in      864 mm

Shed spacing (S):

2.5 in      64 mm

Shed Projection (P):

2.4 in      61 mm

Dry Arc Distance:

36.9 in      937 mm

Leakage Distance:

92.5 in      2,350 mm

**Electricals Values**

60 Hz dry Flashover (Min. Withstand):

357 kV      335 kV

60 Hz Wet Flashover (Min. Withstand):

330 kV      258 kV

CIFO Positive (Min. Withstand):

612 kV      548 kV

CIFO Negative (Min. Withstand):

700 kV      585 kV

**Mechanical Values**

Max. Design Cant. Load (MDCL):

2,103 lbs      9.4 kN

Specified Cant. Load (SCL):

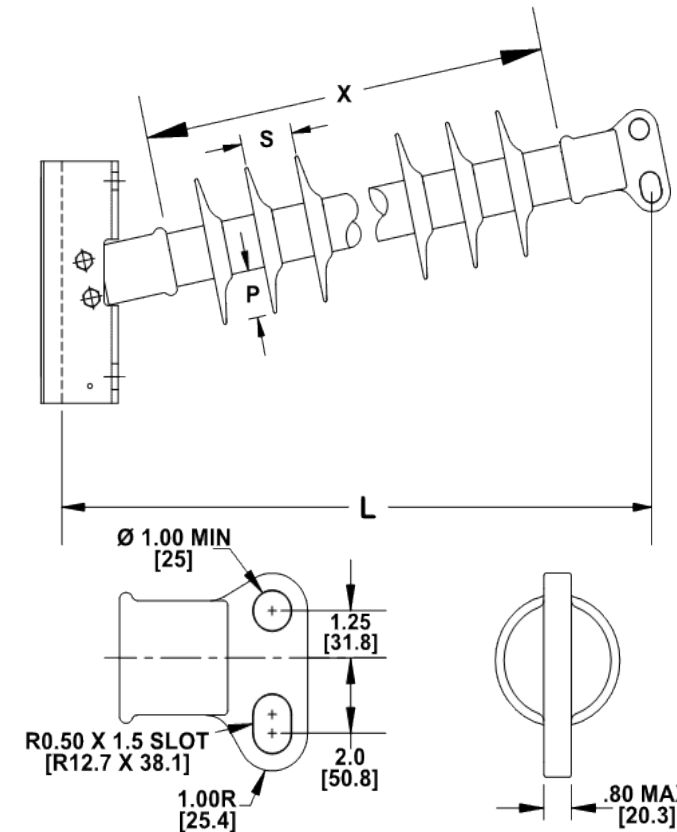
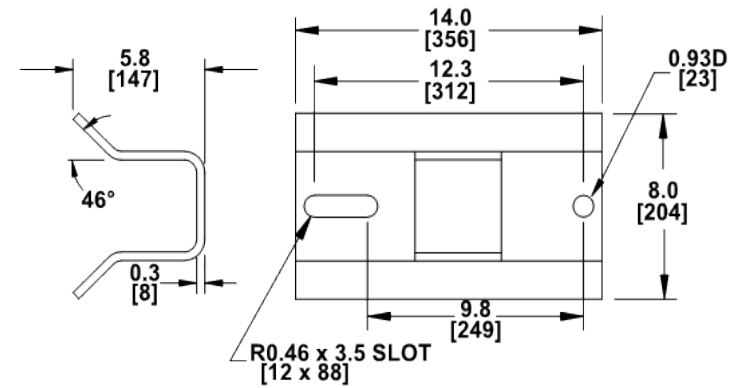
4,206 lbs      18.7 kN

Specified Tensile Load (STL):

15,000 lbs      66.7 kN

This drawing contains confidential information that is the property of MacLean Power, L.L.C. ("MacLean"). Use of MacLean's confidential information without MacLean's express written consent is strictly prohibited and may expose you to legal liability. If you believe that you received this material in error, please destroy it or return it to "MacLean Power, L.L.C., 7801 Park Place Rd., York, South Carolina 29745, USA."

Notes:



Dimension: inches [millimeters]

NOTE: Drawing not actual depiction of insulator appearance.

Silicone rubber sheath and sheds complies with applicable ANSI and IEC standards.

Prepared By: Laurel Wallace