

MPS Catalog Number:

H2 90 10 034 BX SS 016

Date:

05/20/2021

End Fittings

Tower End Fitting:

Gain / 12 deg / Steel

Line End Fitting:

Anchor / Ductile Iron
2 HL Drop Tongue / Galv. Ductile Iron

Material

Corona Ring (Tower):

None

Corona Ring (Line):

None

Corona Rings are recommended for applications of 230 kV and above

Mounting Angle:

12 deg

Number of Sheds:

16

Rod Diameter:

2.5 in

Weight Estimate:

63.8 lbs

29 kg

Dimensional Values

Section Length (L):

44.5 in 1,130 mm

Rubber Length (X):

34 in 864 mm

Shed spacing (S):

2 in 51 mm

Shed Projection (P):

2.4 in 61 mm

Dry Arc Distance:

36.9 in 937 mm

Leakage Distance:

106 in 2,692 mm

Electricals Values

60 Hz dry Flashover (Min. Withstand):

357 kV 335 kV

60 Hz Wet Flashover (Min. Withstand):

330 kV 258 kV

CIFO Positive (Min. Withstand):

612 kV 548 kV

CIFO Negative (Min. Withstand):

700 kV 585 kV

Mechanical Values

Max. Design Cant. Load (MDCL):

2,103 lbs 9.4 kN

Specified Cant. Load (SCL):

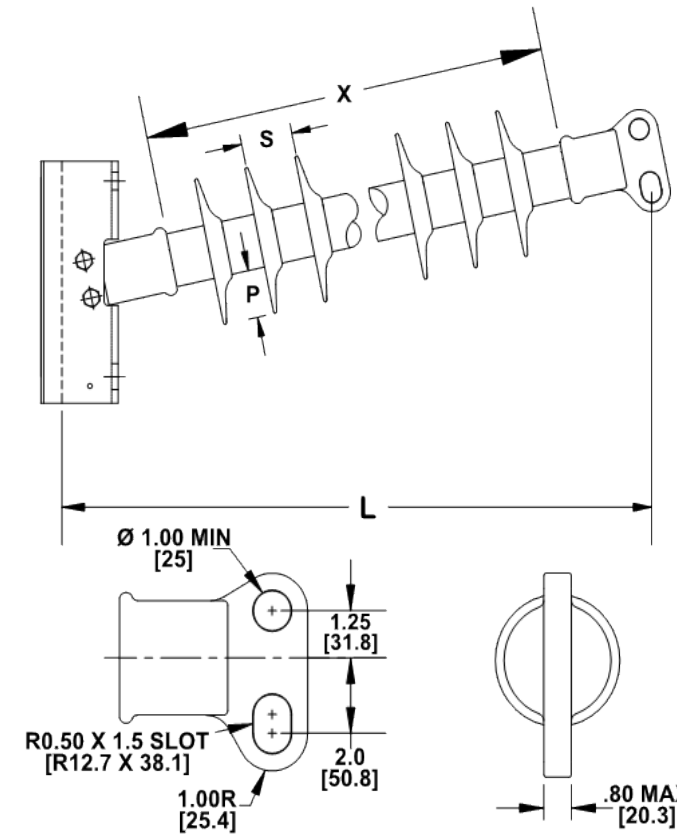
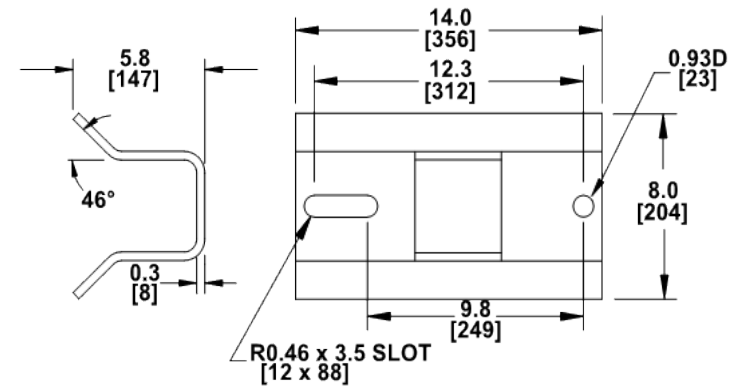
4,206 lbs 18.7 kN

Specified Tensile Load (STL):

15,000 lbs 66.7 kN

This drawing contains confidential information that is the property of MacLean Power, L.L.C. ("MacLean"). Use of MacLean's confidential information without MacLean's express written consent is strictly prohibited and may expose you to legal liability. If you believe that you received this material in error, please destroy it or return it to "MacLean Power, L.L.C., 7801 Park Place Rd., York, South Carolina 29745, USA."

Notes:



Dimension: inches [millimeters]

NOTE: Drawing not actual depiction of insulator appearance.

Silicone rubber sheath and sheds complies with applicable ANSI and IEC standards.

Prepared By: Laurel Wallace