

MPS Catalog Number:

Date:

H2 90 10 046 BX SS 022

05/20/2021

End Fittings

Tower End Fitting:

Gain / 12 deg / Steel

Line End Fitting:

Anchor / Ductile Iron
2 HL Drop Tongue / Galv. Ductile Iron

Material

Corona Ring (Tower):

None

Corona Ring (Line):

None

Corona Rings are recommended for applications of 230 kV and above

Mounting Angle:

12 deg

Number of Sheds:

22

Rod Diameter:

2.5 in

Weight Estimate:

73.2 lbs

33 kg

Dimensional Values

Section Length (L):

56.2 in 1,427 mm

Rubber Length (X):

46 in 1,168 mm

Shed spacing (S):

2 in 51 mm

Shed Projection (P):

2.4 in 61 mm

Dry Arc Distance:

48.9 in 1,242 mm

Leakage Distance:

145 in 3,683 mm

Electricals Values

60 Hz dry Flashover (Min. Withstand):

463 kV 435 kV

60 Hz Wet Flashover (Min. Withstand):

429 kV 339 kV

CIFO Positive (Min. Withstand):

803 kV 715 kV

CIFO Negative (Min. Withstand):

856 kV 755 kV

Mechanical Values

Max. Design Cant. Load (MDCL):

1,624 lbs 7.2 kN

Specified Cant. Load (SCL):

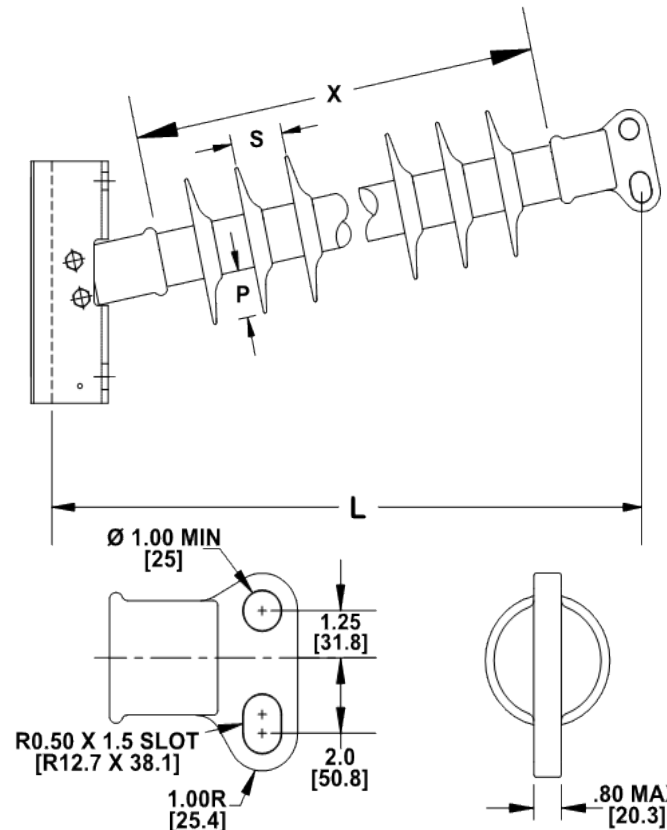
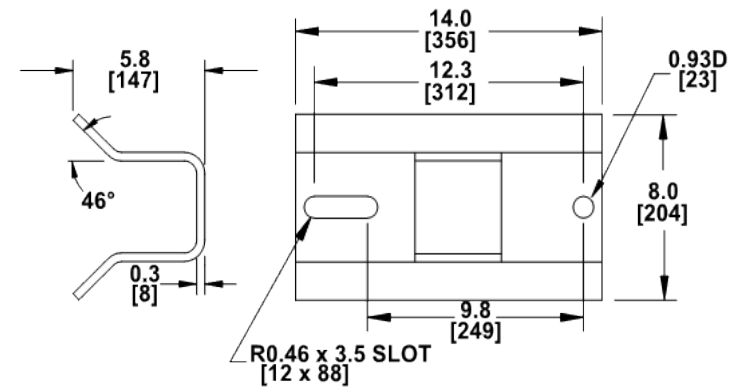
3,248 lbs 14.4 kN

Specified Tensile Load (STL):

15,000 lbs 66.7 kN

This drawing contains confidential information that is the property of MacLean Power, L.L.C. ("MacLean"). Use of MacLean's confidential information without MacLean's express written consent is strictly prohibited and may expose you to legal liability. If you believe that you received this material in error, please destroy it or return it to "MacLean Power, L.L.C., 7801 Park Place Rd., York, South Carolina 29745, USA."

Notes:



Dimension: inches [millimeters]

NOTE: Drawing not actual depiction of insulator appearance.

Silicone rubber sheath and sheds complies with applicable ANSI and IEC standards.

Prepared By: Laurel Wallace