

MPS Catalog Number:

**H2 90 10 052 AX SS 020**

Date:

05/20/2021

**End Fittings**

Tower End Fitting:

Gain / 12 deg / Steel

Line End Fitting:

Anchor / Ductile Iron  
2 HL Drop Tongue / Galv. Ductile Iron

**Material**

Corona Ring (Tower):

None

Corona Ring (Line):

None

Corona Rings are recommended for applications of 230 kV and above

Mounting Angle:

12 deg

Number of Sheds:

20

Rod Diameter:

2.5 in

Weight Estimate:

74.6 lbs

34 kg

**Dimensional Values**

Section Length (L):

62.1 in 1,577 mm

Rubber Length (X):

52 in 1,321 mm

Shed spacing (S):

2.5 in 64 mm

Shed Projection (P):

2.4 in 61 mm

Dry Arc Distance:

54.9 in 1,394 mm

Leakage Distance:

142 in 3,607 mm

**Electricals Values**

60 Hz dry Flashover (Min. Withstand):

516 kV 484 kV

60 Hz Wet Flashover (Min. Withstand):

477 kV 379 kV

CIFO Positive (Min. Withstand):

898 kV 797 kV

CIFO Negative (Min. Withstand):

943 kV 839 kV

**Mechanical Values**

Max. Design Cant. Load (MDCL):

1,468 lbs 6.5 kN

Specified Cant. Load (SCL):

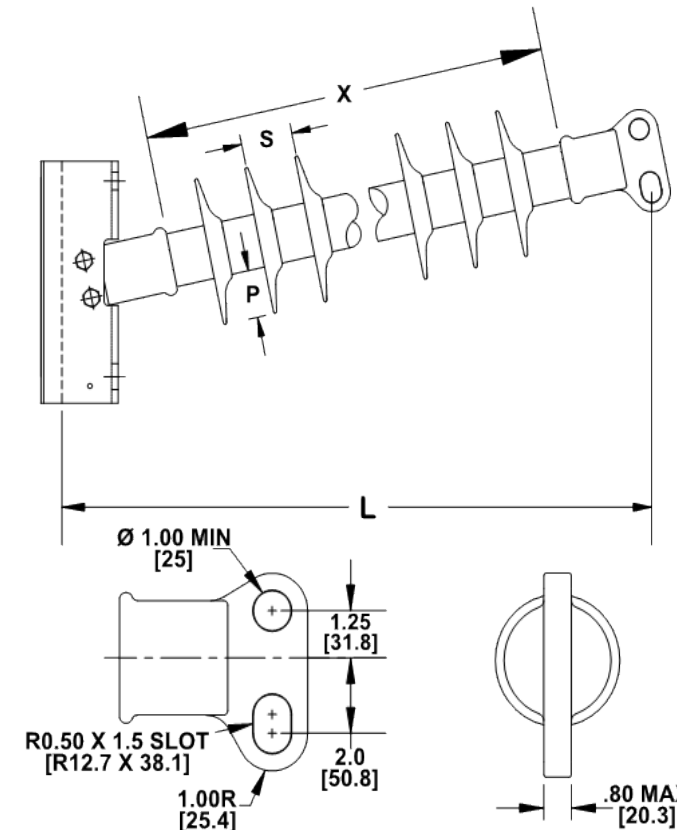
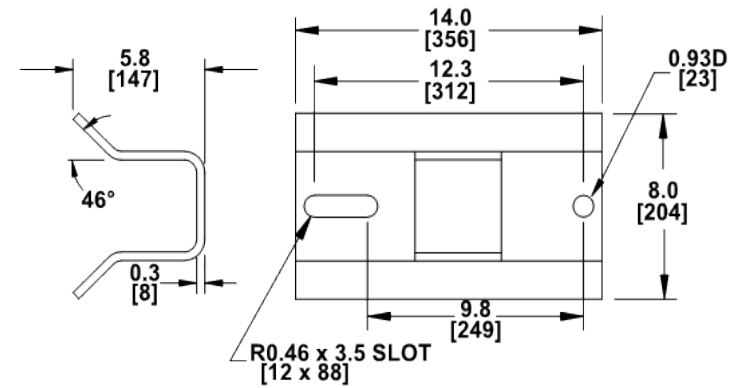
2,936 lbs 13.1 kN

Specified Tensile Load (STL):

15,000 lbs 66.7 kN

This drawing contains confidential information that is the property of MacLean Power, L.L.C. ("MacLean"). Use of MacLean's confidential information without MacLean's express written consent is strictly prohibited and may expose you to legal liability. If you believe that you received this material in error, please destroy it or return it to "MacLean Power, L.L.C., 7801 Park Place Rd., York, South Carolina 29745, USA."

Notes:



Dimension: inches [millimeters]

NOTE: Drawing not actual depiction of insulator appearance.

Silicone rubber sheath and sheds complies with applicable ANSI and IEC standards.

Prepared By: Laurel Wallace