

MPS Catalog Number:

Date:

H2 90 10 052 CX SS 031

05/20/2021

End Fittings

Tower End Fitting:

Gain / 12 deg / Steel

Line End Fitting:

Anchor / Ductile Iron

2 HL Drop Tongue / Galv. Ductile Iron

Material

Corona Ring (Tower):

None

Corona Ring (Line):

None

Corona Rings are recommended for applications of 230 kV and above

Mounting Angle:

12 deg

Number of Sheds:

31

Rod Diameter:

2.5 in

Weight Estimate:

81.7 lbs

37 kg

Dimensional Values

Section Length (L):

62.1 in 1,577 mm

Rubber Length (X):

52 in 1,321 mm

Shed spacing (S):

1.6 in 41 mm

Shed Projection (P):

2.4 in 61 mm

Dry Arc Distance:

54.9 in 1,394 mm

Leakage Distance:

191.5 in 4,864 mm

Electricals Values

60 Hz dry Flashover (Min. Withstand):

516 kV 484 kV

60 Hz Wet Flashover (Min. Withstand):

477 kV 379 kV

CIFO Positive (Min. Withstand):

898 kV 797 kV

CIFO Negative (Min. Withstand):

943 kV 839 kV

Mechanical Values

Max. Design Cant. Load (MDCL):

1,468 lbs 6.5 kN

Specified Cant. Load (SCL):

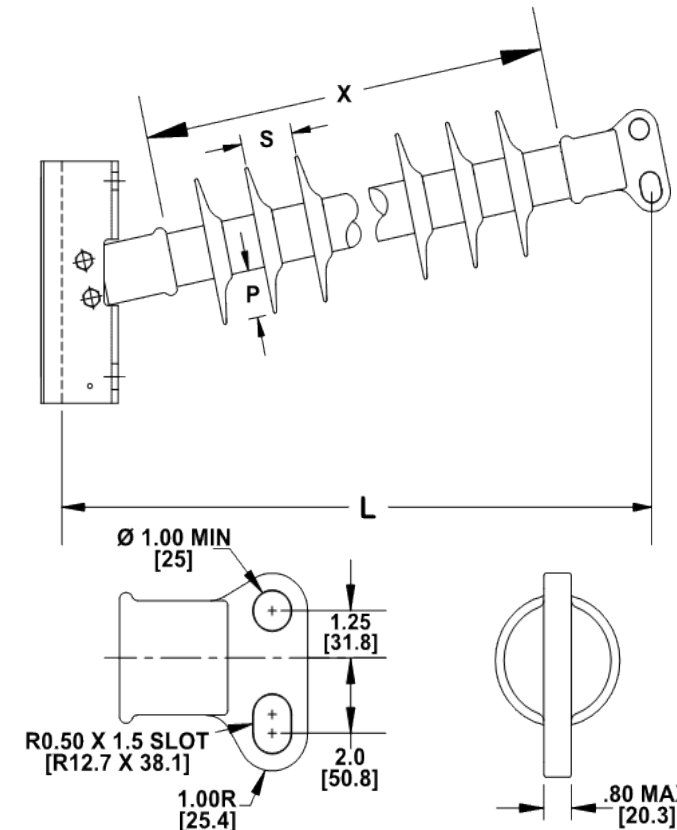
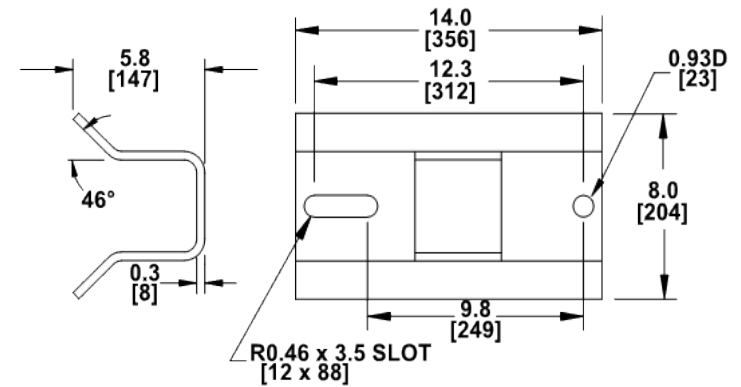
2,936 lbs 13.1 kN

Specified Tensile Load (STL):

15,000 lbs 66.7 kN

This drawing contains confidential information that is the property of MacLean Power, L.L.C. ("MacLean"). Use of MacLean's confidential information without MacLean's express written consent is strictly prohibited and may expose you to legal liability. If you believe that you received this material in error, please destroy it or return it to "MacLean Power, L.L.C., 7801 Park Place Rd., York, South Carolina 29745, USA."

Notes:



Dimension: inches [millimeters]

NOTE: Drawing not actual depiction of insulator appearance.

Silicone rubber sheath and sheds complies with applicable ANSI and IEC standards.

Prepared By: Laurel Wallace