

MPS Catalog Number:

**H2 90 10 064 CX SS 038**

Date:

05/20/2021

**End Fittings**

Tower End Fitting:

Gain / 12 deg / Steel

Line End Fitting:

Anchor / Ductile Iron  
2 HL Drop Tongue / Galv. Ductile Iron

**Material**

Corona Ring (Tower):

None

Corona Ring (Line):

None

Corona Rings are recommended for applications of 230 kV and above

Mounting Angle:

12 deg

Number of Sheds:

38

Rod Diameter:

2.5 in

Weight Estimate:

91.7 lbs

42 kg

**Dimensional Values**

Section Length (L):

73.8 in 1,875 mm

Rubber Length (X):

64 in 1,626 mm

Shed spacing (S):

1.6 in 41 mm

Shed Projection (P):

2.4 in 61 mm

Dry Arc Distance:

66.9 in 1,699 mm

Leakage Distance:

235 in 5,969 mm

**Electricals Values**

60 Hz dry Flashover (Min. Withstand):

620 kV 582 kV

60 Hz Wet Flashover (Min. Withstand):

569 kV 457 kV

CIFO Positive (Min. Withstand):

1085 kV 959 kV

CIFO Negative (Min. Withstand):

1121 kV 1006 kV

**Mechanical Values**

Max. Design Cant. Load (MDCL):

1,206 lbs 5.4 kN

Specified Cant. Load (SCL):

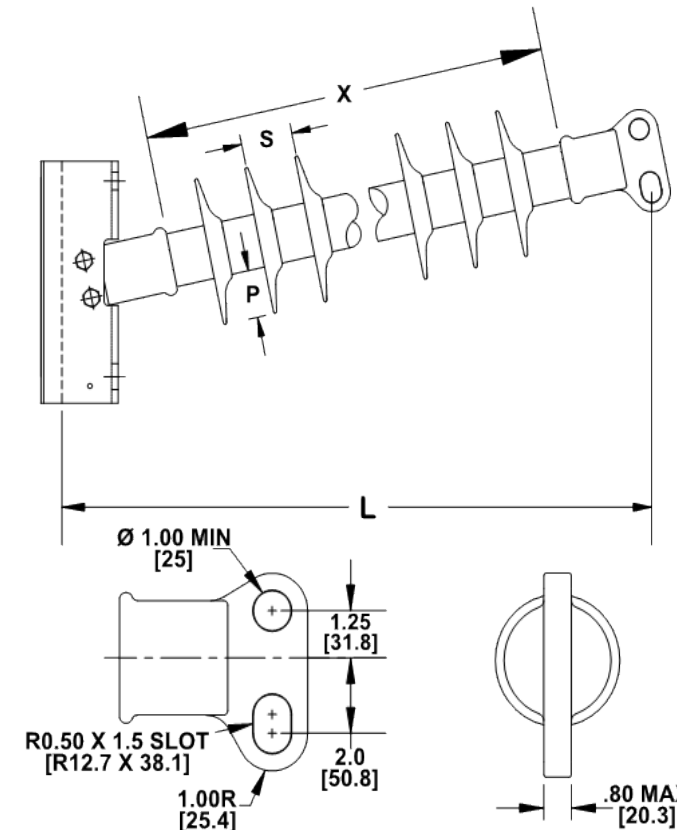
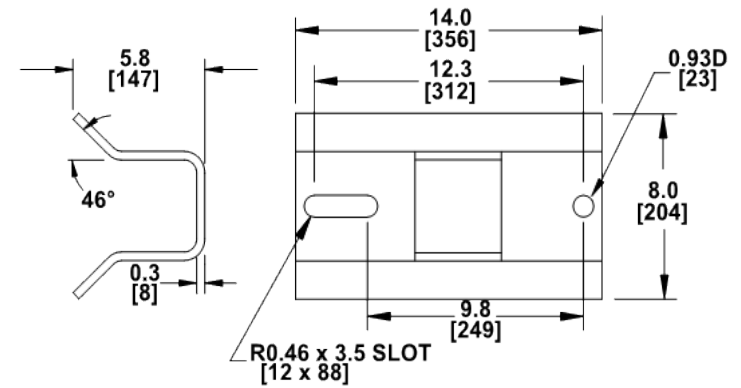
2,412 lbs 10.7 kN

Specified Tensile Load (STL):

15,000 lbs 66.7 kN

This drawing contains confidential information that is the property of MacLean Power, L.L.C. ("MacLean"). Use of MacLean's confidential information without MacLean's express written consent is strictly prohibited and may expose you to legal liability. If you believe that you received this material in error, please destroy it or return it to "MacLean Power, L.L.C., 7801 Park Place Rd., York, South Carolina 29745, USA."

Notes:



Dimension: inches [millimeters]

NOTE: Drawing not actual depiction of insulator appearance.

Silicone rubber sheath and sheds complies with applicable ANSI and IEC standards.

Prepared By: Laurel Wallace