

MPS Catalog Number:

Date:

**H2 90 10 070 AX SS 027**

05/20/2021

**End Fittings**

Tower End Fitting:

Gain / 12 deg / Steel

Line End Fitting:

Anchor / Ductile Iron

2 HL Drop Tongue / Galv. Ductile Iron

**Material**

Corona Ring (Tower):

None

Corona Ring (Line):

None

Corona Rings are recommended for applications of 230 kV and above

Mounting Angle:

12 deg

Number of Sheds:

27

Rod Diameter:

2.5 in

Weight Estimate:

87.4 lbs

40 kg

**Dimensional Values**

Section Length (L):

79.7 in 2,024 mm

Rubber Length (X):

70 in 1,778 mm

Shed spacing (S):

2.5 in 64 mm

Shed Projection (P):

2.4 in 61 mm

Dry Arc Distance:

72.9 in 1,852 mm

Leakage Distance:

191.5 in 4,864 mm

**Electricals Values**

60 Hz dry Flashover (Min. Withstand):

672 kV 630 kV

60 Hz Wet Flashover (Min. Withstand):

614 kV 495 kV

CIFO Positive (Min. Withstand):

1178 kV 1039 kV

CIFO Negative (Min. Withstand):

1209 kV 1088 kV

**Mechanical Values**

Max. Design Cant. Load (MDCL):

1,109 lbs 4.9 kN

Specified Cant. Load (SCL):

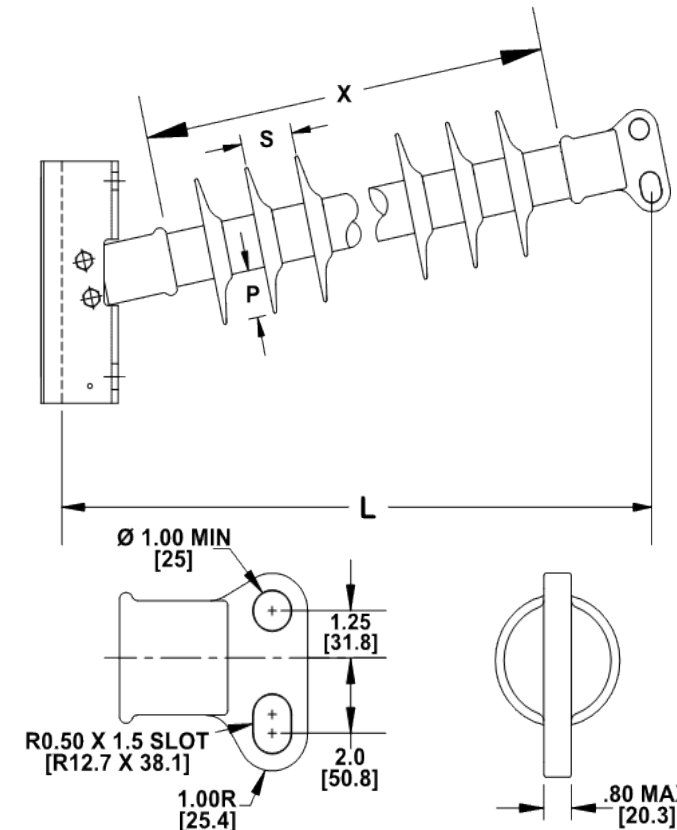
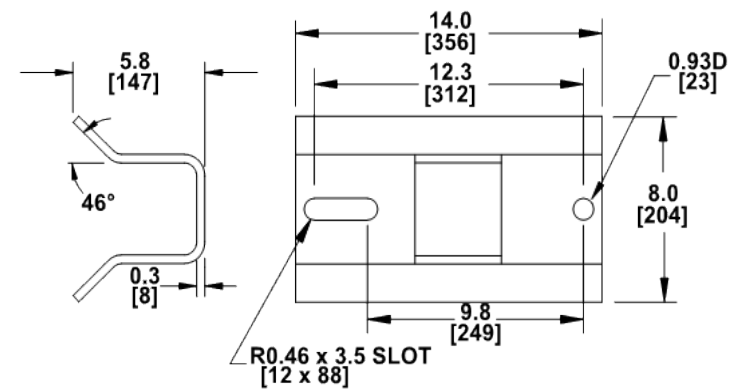
2,218 lbs 9.9 kN

Specified Tensile Load (STL):

15,000 lbs 66.7 kN

This drawing contains confidential information that is the property of MacLean Power, L.L.C. ("MacLean"). Use of MacLean's confidential information without MacLean's express written consent is strictly prohibited and may expose you to legal liability. If you believe that you received this material in error, please destroy it or return it to "MacLean Power, L.L.C., 7801 Park Place Rd., York, South Carolina 29745, USA."

Notes:



Dimension: inches [millimeters]

NOTE: Drawing not actual depiction of insulator appearance.

Silicone rubber sheath and sheds complies with applicable ANSI and IEC standards.

Prepared By: Laurel Wallace